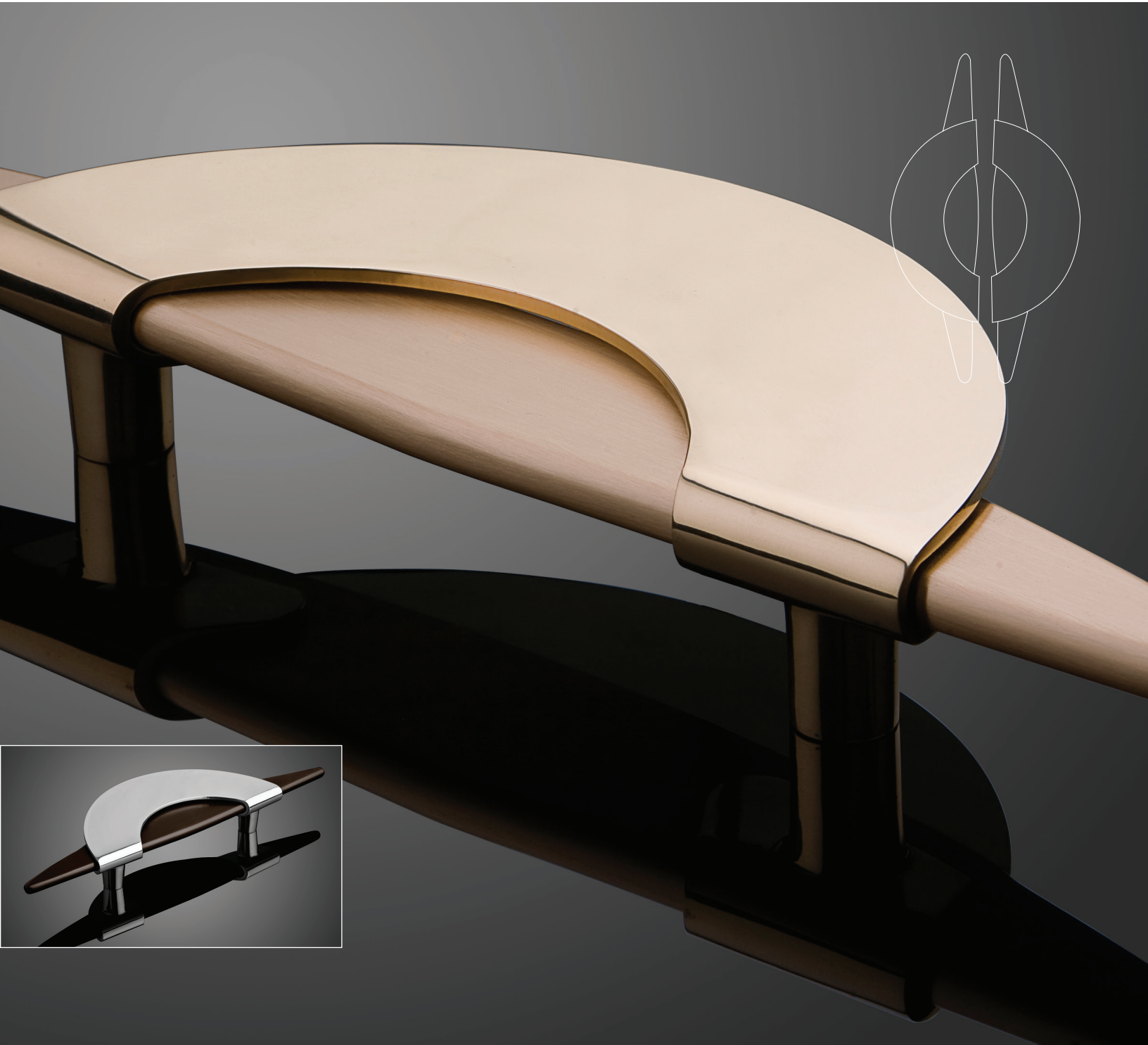




SOLSTICE™ DOOR PULLS

PRODUCT DATA





SOLSTICE™ DOOR PULLS

PRODUCT DATA

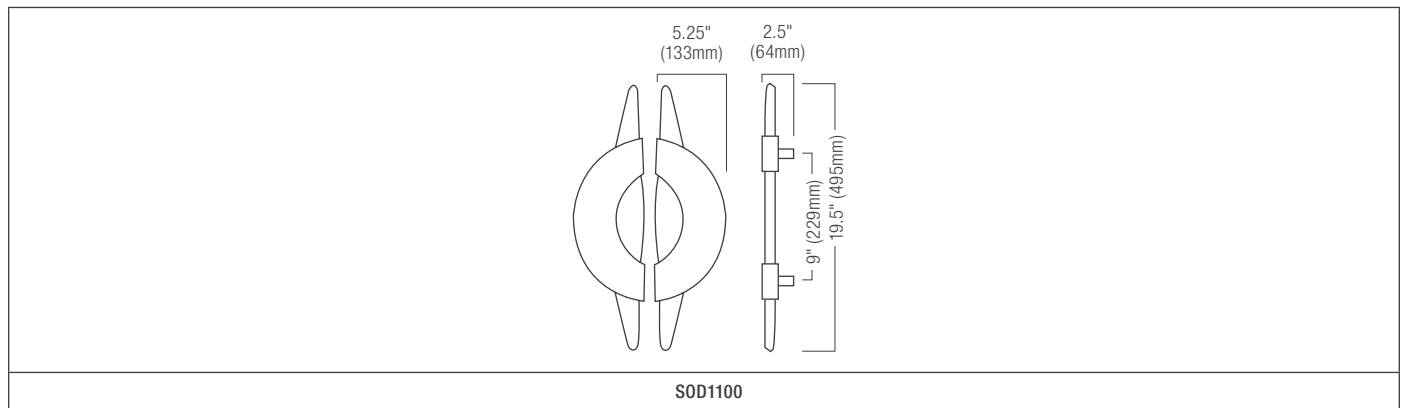
Solstice Door Pulls are composed of two distinct elements: a half-moon and a vertical bar. Both may be specified in all of the metals and finishes listed below. For maximum design flexibility, the same metal and finish may, or may not, be specified for both elements.

MATERIALS & FINISHES

INSTALLATION & MAINTENANCE

STAINLESS STEEL		BRONZE		INSTALLATION	MAINTENANCE
US32	Polished Stainless Steel	US9	Polished Bronze	<ul style="list-style-type: none"> Solstice Door Pulls may be single mounted or mounted back-to-back on wood, metal or glass doors. Solstice Door Pulls are installed using Mounting System "B". A thread-locking adhesive such as Loctite® is recommended for secure installation. Refer to Mounting Options B1, B2, B3, B4, B5, B6 and B7 shown below for additional information. 	<ul style="list-style-type: none"> Solstice Door Pulls are well-suited for interior or exterior use. Regular maintenance will help ensure the lasting beauty of each pull. For more information, please refer to <i>Door Hardware Care & Maintenance</i> found on our website.
US32D	Satin Stainless Steel	US10	Satin Bronze		
SSS	Stippled Stainless Steel	SBR	Stippled Bronze		
		US10B	Oil-Rubbed Bronze		

DESIGN OPTIONS



MOUNTING OPTIONS

B-1 Back-to-back mount on wood or metal door with Rota-Lok.	B-2 Single mount on glass door with end cap purchased separately.	B-3 Back-to-back mount on glass door with Rota-Lok.	B-4 Single mount on wood or metal door with through bolt.	*B-5 Concealed single mount on wood door with threaded insert and Rota-Lok.	B-6 "L" Configuration: Adapt one end of each pull for back-to back mounting with Rota-Lok. Specify "B" mounting for other ends.	B-7 Concealed single mount on aluminum frame door with Rota-Lok and customer's reinforcement.

*Forms+Surfaces offers but does not recommend concealed mounting on wood doors. Frequent or heavy use can compromise the integrity of this mounting.

For more information on mounting Solstice Door Pulls, please refer to the *Hardware Installation Instruction Manual* found on our website.



SOLSTICE™ DOOR PULLS

PRODUCT DATA

LIST PRICING AND ORDERING INFORMATION

Pricing does not include freight. No additional charge for mounting hardware. All pricing is for single units, not pairs.

MODEL	DESCRIPTION	
SOD1100-09-0AS 9" (229mm) c.c.	Stainless Steel half-moon, Stainless Steel vertical bar	\$1,071
SOD1100-09-0SB 9" (229mm) c.c.	Stainless Steel half-moon, Bronze vertical bar	\$1,174
SOD1100-09-0BS 9" (229mm) c.c.	Bronze half-moon, Stainless Steel vertical bar	\$1,174
SOD1100-09-0AB 9" (229mm) c.c.	Bronze half-moon, Bronze vertical bar	\$1,405

HOW TO SPECIFY:

Provide model number, quantity, metal and finish for each element, mounting option, door material and thickness.