



TRIO™ BOLLARD

PRODUCT DATA





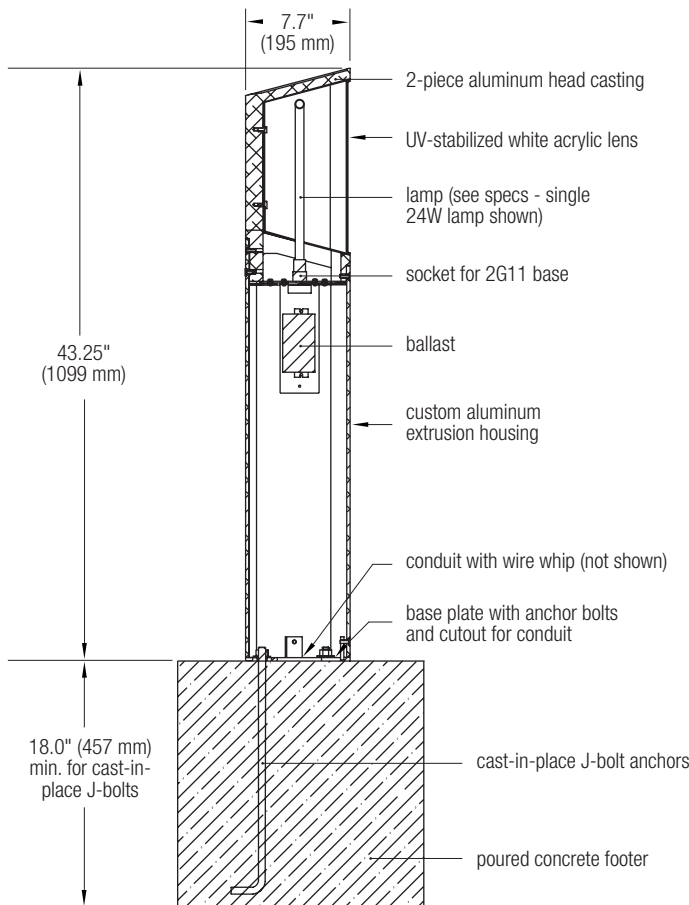
The **Trio Bollard** is designed to blend seamlessly with our Trio family of products. Inspired by design elements that span the entire Trio product line, we've created a bollard that draws upon the open-angled shape, swept detail and exaggerated void that is seen in our Trio bench. Contemporary in design, Trio's minimalist linear form allows it to be integrated into a myriad of settings while showcasing design in its purist form.

MATERIAL & CONSTRUCTION DETAILS

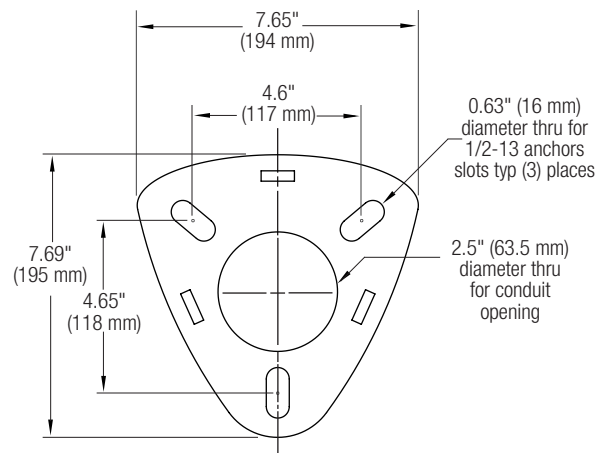
INSTALLATION & MAINTENANCE

COLUMN	FINISH	LAMP	INSTALLATION
<ul style="list-style-type: none"> Column is made from a formed aluminum extrusion. 	<ul style="list-style-type: none"> See the Forms+Surfaces Powdercoat Chart for details. Custom RAL colors are available for an upcharge. Due to the inherent nature of metal castings, gloss powdercoats are not offered for cast components. 	<ul style="list-style-type: none"> Compact fluorescent (CFL) lamps are 24 Watts. See lamp information on page 2. 	<ul style="list-style-type: none"> Standard mounting is surface mount with 1/2"-13x18" galvanized steel J-bolt anchors and 1/4" thick stainless steel base plate. Installation of a surge protector as part of each units wiring is recommended. Necessary hardware is included. Template is available upon request.
TOP CAP	WEIGHT	BALLAST	MAINTENANCE
<ul style="list-style-type: none"> Cast aluminum cap is attached with recessed security socket cap screws. 	<ul style="list-style-type: none"> 34 lbs (15 kg) 	<ul style="list-style-type: none"> Electronic, thermally protected (universal input voltage) 120/277V for one 24W or two 24W single twin tube 4-pin fluorescent lamp(s), instant start, -20 °F starting temperature. 	<ul style="list-style-type: none"> Metal surfaces can be cleaned as needed using a soft cloth or brush with warm water and a mild detergent. Avoid abrasive cleaners.

NOMINAL DIMENSIONS



BASE PLATE MOUNTING DETAIL





LAMP DESCRIPTIONS

LAMP	DESCRIPTION	BASE	COLOR TEMPERATURE	LUMINAIRE LUMENS*	B.U.G. RATING
(1) F T24 BX	24W single twin tube 4-pin compact fluorescent	2G11	4,000K	1376	B1-U4-G2
(2) FT24 BX	24W single twin tube 4-pin compact fluorescent	2G11	4,000K	2606	B1-U5-G2

*Luminaire lumens represents the absolute photometry for the luminaire, and indicates the lumens out of the entire fixture.

NOTE: Polar candela and isofootcandle plots can be found on the Lighthouse Bollard product page on our website

CERTIFICATION

- LBTRO-CF is UL and C-UL listed for wet locations.

ENVIRONMENTAL CONSIDERATIONS

- Please refer to the Trio Bollard Environmental Data Sheet for detailed environmental impact information.
- Metal components have a long life cycle and are 100% recyclable; Trio Bollard has 75% recycled content.
- Powdercoat finishes are no- or low-VOC, depending on color.
- Low maintenance; easy to disassemble.

MODEL NUMBERS AND DESCRIPTIONS

MODEL	DESCRIPTION
LBTRO-CF	Trio Bollard, CFL

PRODUCT OPTIONS

The following options are available for an upcharge

Premium Texture Colors from Forms+Surfaces Powdercoat Chart
Custom RAL powdercoat color

LEAD TIME: 6 to 8 weeks. Shorter lead times may be available upon request. Please contact us to discuss your specific timing requirements.

PRICING: Please contact us at **800.451.0410** or **sales@forms-surfaces.com**. At Forms+Surfaces, we design, manufacture and sell our products directly to you. Our sales team is available to assist you with questions about our products, requests for quotes, and orders. Territory Managers are located worldwide to assist with the front-end specification and quoting process, and our in-house Project Sales Coordinators follow your project through from the time you place an order to shipment.

TO ORDER SPECIFY: Quantity, powdercoat color, lamp, and voltage. Quote/Order Forms are available on our website to lead you through the specification process in a simple checkbox format.