



**TRIO™ PEDESTRIAN**

PRODUCT DATA





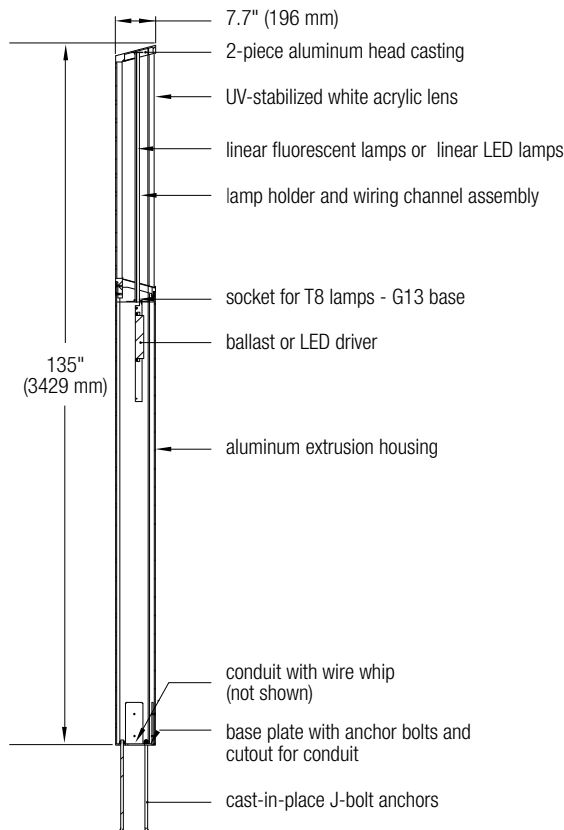
The **Trio Pedestrian** is designed to blend seamlessly with our Trio family of products including the Trio Bench, Bike Rack, Bollard, and Table Ensemble. Inspired by design elements that span the entire Trio product line, the Trio Pedestrian draws upon the open-angled shape, swept detail, and exaggerated void seen in the Trio Bench. Contemporary in design, Trio's minimalist linear form allows it to be integrated into a myriad of settings while showcasing design in its purist form.

**MATERIAL & CONSTRUCTION DETAILS**

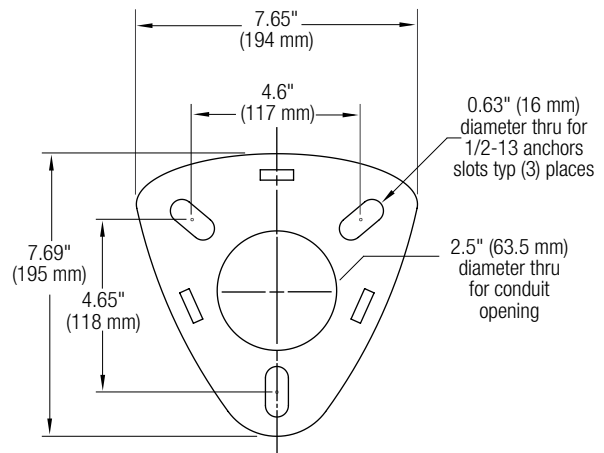
**INSTALLATION & MAINTENANCE**

| COLUMN  | FINISH  | LAMP & BALLAST  | INSTALLATION  |
|---|---|---|---|
| <ul style="list-style-type: none"> <li>Column is made from a formed aluminum extrusion.</li> </ul>                        | <ul style="list-style-type: none"> <li>See the Forms+Surfaces Powdercoat Chart for details. Custom RAL colors are available for an upcharge.</li> <li>Due to the inherent nature of metal castings, gloss powdercoats are not offered for cast components.</li> </ul> | <ul style="list-style-type: none"> <li>Linear fluorescent lamps are offered in 32W or 48W. See lamp information on page 2.</li> <li>Electronic, thermally protected (universal input voltage) 120/277V for two F32T8, F48T8HO and equivalent T8 lamps with less than 10% THD &amp; 0 °F starting temp.</li> </ul> | <ul style="list-style-type: none"> <li>1/4" (6 mm) thick stainless steel mounting plate with 1/2"-13x18" galvanized steel J-bolt anchors.</li> <li>Installation of a surge protector as part of each units wiring is recommended.</li> <li>Necessary hardware is included. Template is available upon request.</li> </ul> |
| TOP CAP   | WEIGHT  | LED LAMP ENGINE & DRIVER  | MAINTENANCE   |
| <ul style="list-style-type: none"> <li>Cast aluminum cap is attached with recessed security socket cap screws.</li> </ul> | <ul style="list-style-type: none"> <li>73 lbs (33 kg)</li> </ul>  | <ul style="list-style-type: none"> <li>Linear LED lamps are available in 22.5W. See lamp information on pages 2 and 3.</li> <li>Electronic, thermally protected (universal input voltage) 120/277V for three linear LED T8 lamps with less than 10% THD &amp; 0 °F starting temp.</li> </ul>                      | <ul style="list-style-type: none"> <li>Metal surfaces can be cleaned as needed using a soft cloth or brush with warm water and a mild detergent. Avoid abrasive cleaners.</li> </ul>  |

**NOMINAL DIMENSIONS**



**BASE PLATE MOUNTING DETAIL**





LAMP DESCRIPTIONS

| LAMP         | DESCRIPTION                  | BASE            | COLOR TEMPERATURE | LUMINAIRE LUMENS* | B.U.G. RATING | STARTING TEMPERATURE °C |
|--------------|------------------------------|-----------------|-------------------|-------------------|---------------|-------------------------|
| (3) L22.5T8  | 22.5W T8 linear LED          | Medium bi-pin   | 4,000K            | 4223              | B1-U5-G3      | -30                     |
| (2) F32T8    | 32W T8 linear fluorescent    | Medium bi-pin   | 4,100K            | 3970              | B1-U5-U3      | N/A                     |
| (2) F48T8/HO | 48W T8/HO linear fluorescent | Recessed double | 4,100K            | 5204              | B2-U5-G3      | N/A                     |

\*Luminaire lumens represents the absolute photometry for the luminaire, and indicates the lumens out of the entire fixture.

**NOTE: Polar candela and isofootcandle plots can be found on the Lighthouse Bollard product page on our website.**

CERTIFICATION

- LPTR0-LF is UL and C-UL listed for wet locations.
- LPTR0-LED is ETL and C-ETL listed for wet locations.

ENVIRONMENTAL CONSIDERATIONS

- Please refer to the Trio Pedestrian Environmental Data Sheet for detailed environmental impact information.
- Trio Pedestrian has high recycled content and is highly recyclable.
- Powdercoat finishes are no- or low-VOC, depending on color.
- Metal components have a long life cycle and are 100% recyclable.
- Low maintenance; easy to disassemble.

MODEL NUMBERS AND DESCRIPTIONS

| MODEL     | DESCRIPTION                         |
|-----------|-------------------------------------|
| LPTR0-LF  | Trio Pedestrian, linear fluorescent |
| LPTR0-LED | Trio Pedestrian, linear LED         |

PRODUCT OPTIONS

The following options are available for an upcharge

|   |
|---|
| Premium Texture Colors from Forms+Surfaces Powdercoat Chart |
| Custom RAL powdercoat color                                 |

**LEAD TIME:** 6 to 8 weeks. Shorter lead times may be available upon request. Please contact us to discuss your specific timing requirements.

**PRICING:** Please contact us at **800.451.0410** or **sales@forms-surfaces.com**. At Forms+Surfaces, we design, manufacture and sell our products directly to you. Our sales team is available to assist you with questions about our products, requests for quotes, and orders. Territory Managers are located worldwide to assist with the front-end specification and quoting process, and our in-house Project Sales Coordinators follow your project through from the time you place an order to shipment.

**TO ORDER SPECIFY:** Quantity, model, powdercoat color, lamp, voltage. Quote/Order Forms are available on our website to lead you through the specification process in a simple checkbox format.