



**VECTOR™** TABLE ENSEMBLE

PRODUCT DATA





# VECTOR™ TABLE ENSEMBLE

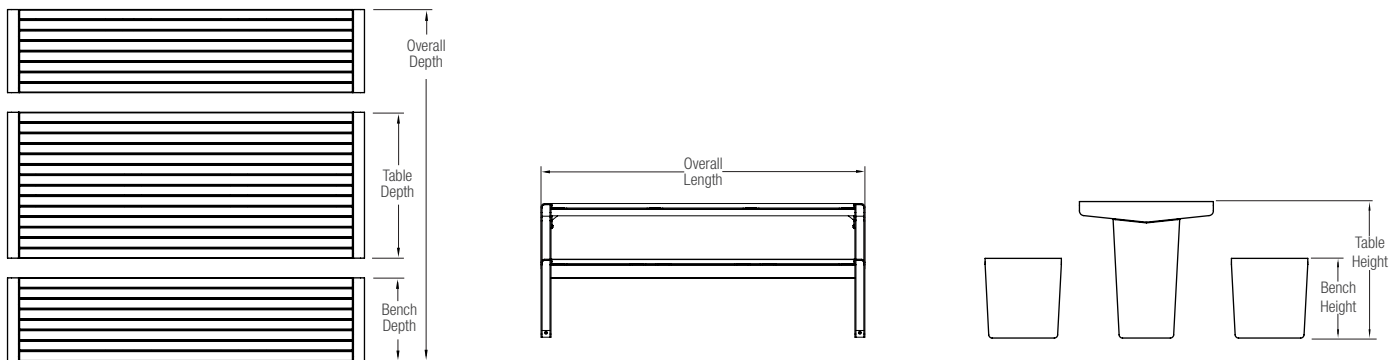
PRODUCT DATA

The **Vector Table Ensemble** is designed to coordinate with our Vector Seating System—a modular, highly customizable line that allows you to mix interchangeable bench and planter modules, choose from a variety of standard materials and finishes, and personalize seating layouts with optional seat backs and dividers, LED accent lighting, and more. Like the Seating System, the Table Ensemble pairs powdercoated aluminum frames with slats of FSC® 100% Cumaru hardwood or extruded aluminum—both beautifully durable combinations that suit even the most active gathering spaces.

## PRODUCT DETAILS

FRAME AND SLAT OPTIONS	CONFIGURATIONS	INSTALLATION
<ul style="list-style-type: none"> <li>Table frame is aluminum with a powdercoat finish.</li> <li>Table tops and seats are available in two material options.</li> <li>FSC® 100% Cumaru hardwood slats (14 slats per table, 8 slats per bench) have a natural oiled finish that enhances the wood's rich color (FSC License Code: FSC-C004453).</li> <li>Extruded aluminum slats (7 slats per table, 4 slats per bench) feature a lightly grooved surface for enhanced appearance and a non-slip feel. Aluminum slats are powdercoated.</li> <li>See the Forms+Surfaces Powdercoat Chart for details. Custom RAL colors are available for an upcharge.</li> </ul>	<ul style="list-style-type: none"> <li>Table and benches are a nominal 6-foot length.</li> <li>Optional aluminum seat backs are powdercoated to match the bench frame.</li> <li>The Vector Table Ensemble can be used with our Soleris Sunshade.</li> </ul>	<ul style="list-style-type: none"> <li>Vector Tables must be surface mounted; benches can be freestanding or surface mount.</li> <li>Stainless steel anchors and mounting bolts are sold separately.</li> </ul>
	<p><b>ADA OPTION</b></p> <ul style="list-style-type: none"> <li>The ADA option includes one side with a shorter, 24" bench permitting unhindered wheelchair access to the table.</li> <li>When the ADA option is used, the Vector Table Ensemble can be installed to comply with the applicable ADA Standards: 226 for Dining and Work Surfaces, 305 for Clear Floor or Ground Space, 306 for Knee and Toe Clearance, and 902 for Dining Surfaces and Work Surfaces.</li> </ul>	<p><b>MAINTENANCE</b></p> <ul style="list-style-type: none"> <li>Metal surfaces can be cleaned as needed using a soft cloth or brush with warm water and a mild detergent. Avoid abrasive cleaners.</li> <li>Hardwood slats should be re-oiled with Ultra Premium Penofin® Oil Finish or similar products as soon as oil looks depleted or 3-6 months after installation and again after 10-12 months.</li> </ul>

## NOMINAL DIMENSIONS



BACKLESS TABLE ENSEMBLE  
(wood slat configuration shown)

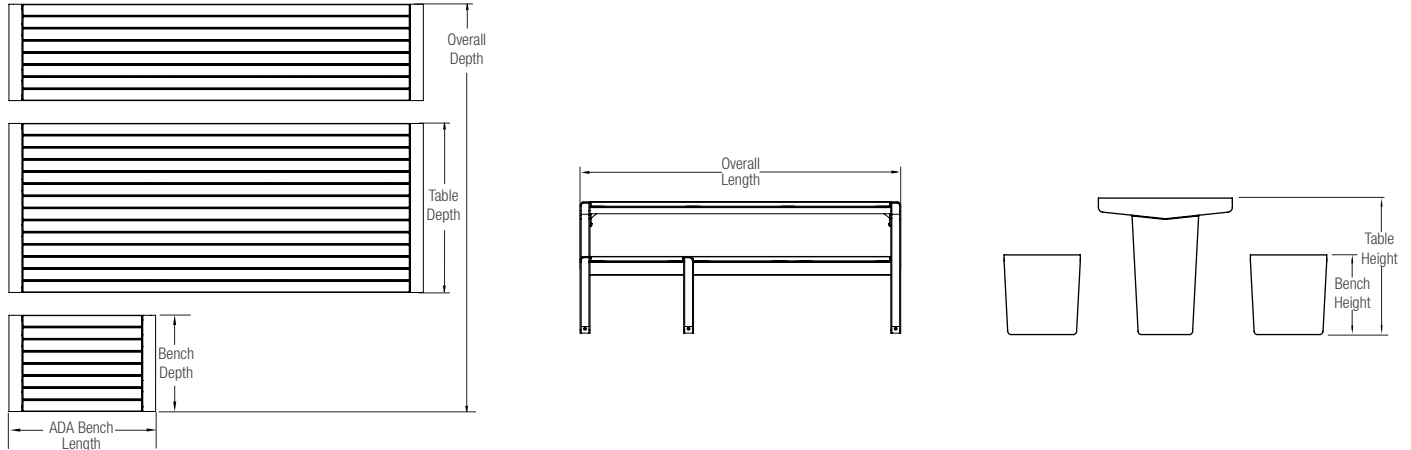
MODEL	OVERALL LENGTH	OVERALL DEPTH	TABLE DEPTH	BENCH DEPTH	TABLE HEIGHT	BENCH HEIGHT
STVTR-72C	72.5" (1,842 mm)	72.1" (1,832 mm)	29.6" (752 mm)	16.9" (430 mm)	30" (762 mm)	17.5" (445 mm)
STVTR-72A	72.5" (1,842 mm)	72.1" (1,832 mm)	29.6" (752 mm)	16.9" (430 mm)	30" (762 mm)	17.5" (445 mm)



# VECTOR™ TABLE ENSEMBLE

PRODUCT DATA

## NOMINAL DIMENSIONS (CONTINUED)



BACKLESS TABLE ENSEMBLE, ADA OPTION  
(wood slat configuration shown)

MODEL	OVERALL LENGTH	ADA BENCH LENGTH	OVERALL DEPTH	TABLE DEPTH	BENCH DEPTH	TABLE HEIGHT	BENCH HEIGHT
STVTR-72C-ADA	72.5" (1,842 mm)	25.7" (653 mm)	72.1" (1,832 mm)	29.6" (752 mm)	16.9" (430 mm)	30" (762 mm)	17.5" (445 mm)
STVTR-72A-ADA	72.5" (1,842 mm)	25.7" (653 mm)	72.1" (1,832 mm)	29.6" (752 mm)	16.9" (430 mm)	30" (762 mm)	17.5" (445 mm)

## ENVIRONMENTAL CONSIDERATIONS

- Please refer to the Vector Table Ensemble Environmental Data Sheet for detailed environmental impact information.
- Vector aluminum frames have high recycled content and are fully recyclable.
- All Vector wood is FSC® 100%.
- Standard powdercoat finishes are no-VOC; non-standard powdercoat finishes are no- or low-VOC, depending on color.
- High recycled content and fully recyclable.
- Low maintenance; easy to disassemble.

## MODEL NUMBERS AND DESCRIPTIONS

MODEL	DESCRIPTION
STVTR-72C	Vector Table Ensemble, FSC 100% Cumaru hardwood slats
STVTR-72C-ADA	Vector Table Ensemble with ADA option, FSC 100% Cumaru hardwood slats
STVTR-72A	Vector Table Ensemble, extruded aluminum slats
STVTR-72A-ADA	Vector Table Ensemble with ADA option, extruded aluminum slats

## PRODUCT OPTIONS

The following options are available for an upcharge

Umbrella hole and sleeve - for use with the Soleris Sunshade	Stainless steel anchors and mounting bolts
Powdercoated aluminum seat backs for benches	Custom RAL powdercoat colors



## VECTOR™ TABLE ENSEMBLE

---

PRODUCT DATA

**LEAD TIME:** 6 to 8 weeks. Shorter lead times may be available upon request. Please contact us to discuss your specific timing requirements.

**PRICING:** Please contact us at **800.451.0410** or **sales@forms-surfaces.com**. At Forms+Surfaces, we design, manufacture and sell our products directly to you. Our sales team is available to assist you with questions about our products, requests for quotes, and orders. Territory Managers are located worldwide to assist with the front-end specification and quoting process, and our in-house Project Sales Coordinators follow your project through from the time you place an order to shipment.

**TO ORDER SPECIFY:** Quantity, model, and powdercoat color for frame castings. Quote/Order Forms are available on our website to lead you through the specification process in a simple checkbox format.