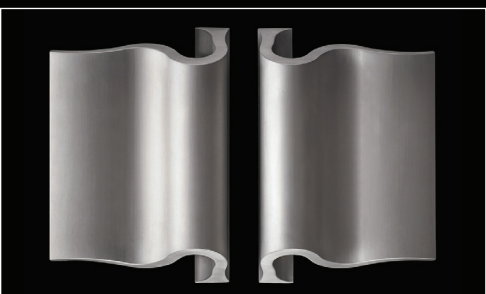
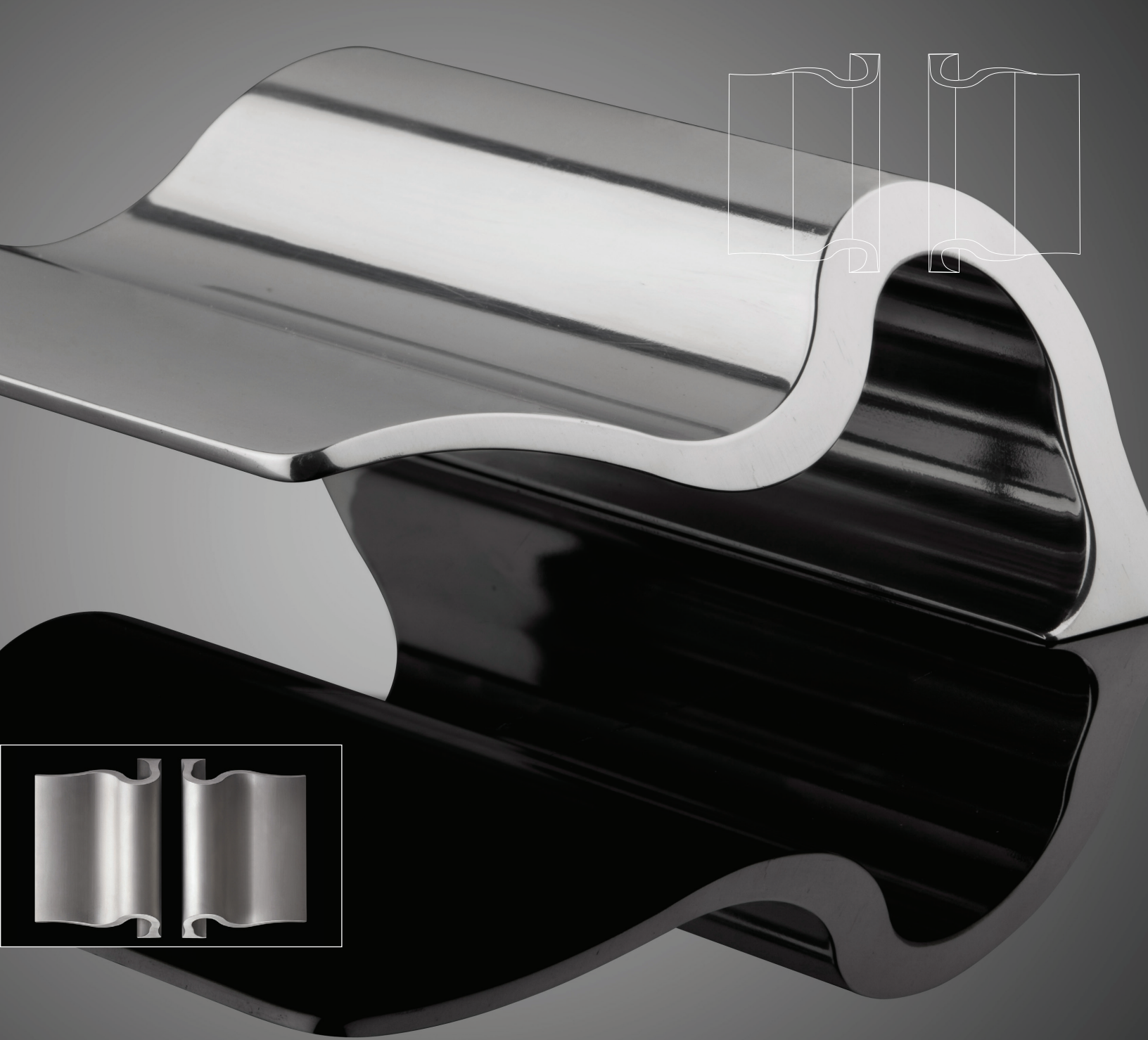




WAVE™ DOOR PULLS

PRODUCT DATA





WAVE™ DOOR PULLS

PRODUCT DATA

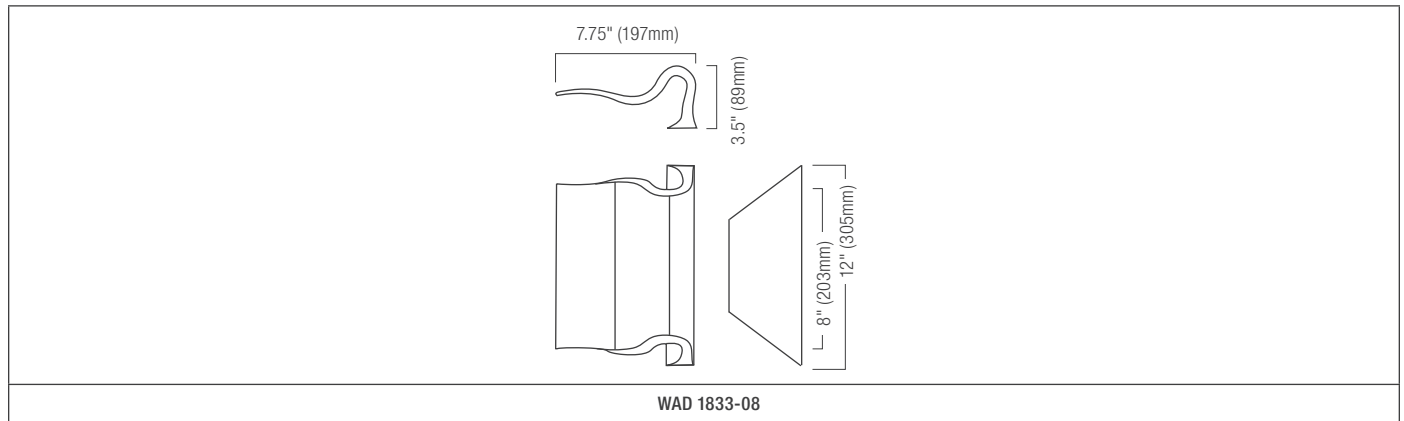
Pairing fluid lines with rhythmic curves, Wave Door Pulls are solid aluminum in a versatile array of finishes.

MATERIALS & FINISHES

INSTALLATION & MAINTENANCE

ANODIZED ALUMINUM		INSTALLATION	MAINTENANCE
301	Clear Polished Aluminum	<ul style="list-style-type: none"> Wave Door Pulls may be single mounted on wood or metal doors only. They may be mounted back-to-back on wood, metal or glass doors. Wave Door Pulls are installed using Mounting System "C". A thread-locking adhesive such as Loctite® is recommended for secure installation. Refer to Mounting Options C1, C2, C3, C4 and C5 shown below for additional information. 	<ul style="list-style-type: none"> Wave Door Pulls are well-suited for interior or exterior use. Regular maintenance will help ensure the lasting beauty of each pull. For more information, please refer to <i>Door Hardware Care & Maintenance</i> found on our website.
302	Clear Matte Aluminum		
305	Black Matte Aluminum		

DESIGN OPTIONS



MOUNTING OPTIONS

C-1 Back-to-back mount on wood or metal door with shoulder bolt.	C-2 Concealed single mount on aluminum frame door with shoulder bolt and customer's reinforcement.	*C-3 Concealed single mount on wood door with shoulder bolt and threaded insert.	C-4 Back-to-back mount on glass door with shoulder bolt.	C-5 Single mount on wood or metal door with through bolt.

*Forms+Surfaces offers but does not recommend concealed mounting on wood doors. Frequent or heavy use can compromise the integrity of this mounting.

For more information on mounting Wave Door Pulls, please refer to the *Hardware Installation Instruction Manual* found on our website.

LIST PRICING AND ORDERING INFORMATION

Pricing does not include freight. No additional charge for mounting hardware. All pricing is for single units, not pairs.

MODEL	FINISH	
WAD1833-08 8" (203mm) c.c.	Clear Polished (301), Clear Matte (302), Black Matte (305)	\$299

HOW TO SPECIFY: Provide model number, quantity, metal and finish, mounting option, door material and thickness.