

PROJECT NAME: _____

DATE: _____

JOB LOCATION: _____

COMPANY: _____

PLEASE USE ADOBE READER OR ADOBE ACROBAT TO FILL OUT AND SAVE FORM. USING OTHER PROGRAMS COULD RESULT IN UNSAVED DATA.

MODEL

QUANTITY	MODEL	
_____	SBAPX-72SJ	Apex Bench, standalone bench, surface mount
_____	SBAPX-72AJ	Apex Bench, for use with add-on section, surface mount
_____	SBAPX-72MJ	Intermediate add-on section, surface mount
_____	SBAPX-72EJ	End add-on section, surface mount
_____	SBAPX-72J-W	Apex Bench, wall-top mount

OPTIONS

FIG 1: APEX BENCH, STANDALONE

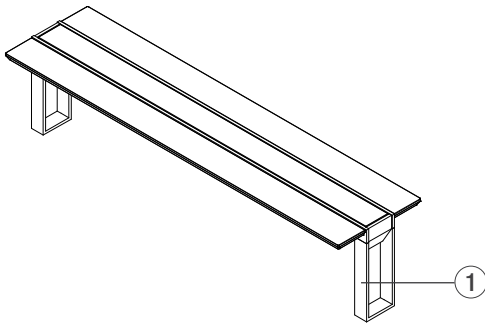
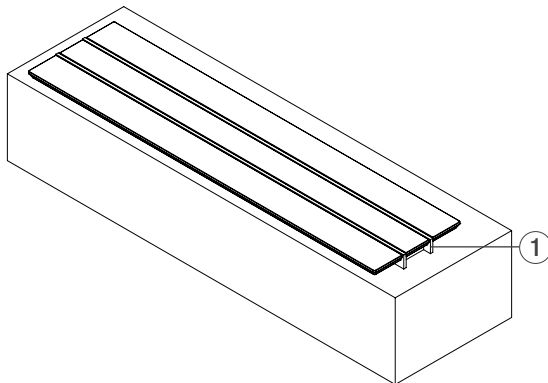


FIG 2: APEX BENCH, WALL-TOP MOUNT



①

Frame Powdercoat Colors

Please select one powdercoat color.

NOTE: Due to the inherent nature of metal castings, gloss powdercoats are not offered on cast components.

Standard Texture from Forms+Surfaces Powdercoat Chart

- | | |
|---|---|
| <input type="checkbox"/> Aluminum Texture | <input type="checkbox"/> Dark Grey Metallic Texture |
| <input type="checkbox"/> Argento Texture | <input type="checkbox"/> Evergreen Texture |
| <input type="checkbox"/> Black Texture | <input type="checkbox"/> Ink Blue Texture |
| <input type="checkbox"/> Blue Texture | <input type="checkbox"/> Silver Texture |
| <input type="checkbox"/> Cream Texture | <input type="checkbox"/> Slate Texture |
| <input type="checkbox"/> Dark Bronze Metallic Texture | <input type="checkbox"/> White Texture |

Premium Texture from Forms+Surfaces Powdercoat Chart

(add \$200 per color/per order)

- | | |
|--|---|
| <input type="checkbox"/> Azure Texture | <input type="checkbox"/> Dark Corten Texture |
| <input type="checkbox"/> Lime Texture | <input type="checkbox"/> Light Corten Texture |

Custom RAL Powdercoat Color

(please call for pricing information)

- RAL Color: _____

NOTES

Please send completed forms to sales@forms-surfaces.com or contact us at **800.451.0410** with any questions.