

PROJECT NAME: \_\_\_\_\_

DATE: \_\_\_\_\_

JOB LOCATION: \_\_\_\_\_

COMPANY: \_\_\_\_\_

SPECIFIER: \_\_\_\_\_

PLEASE USE ADOBE READER OR ADOBE ACROBAT TO FILL OUT AND SAVE FORM. USING OTHER PROGRAMS COULD RESULT IN UNSAVED DATA.

**MODEL**

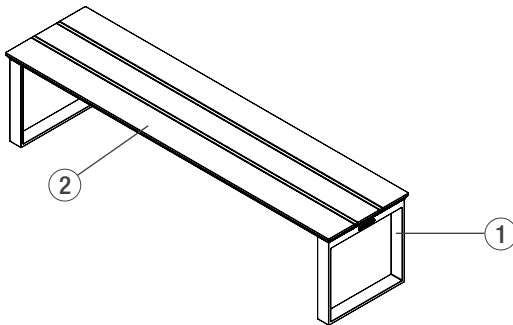
**QUANTITY**

**MODEL**

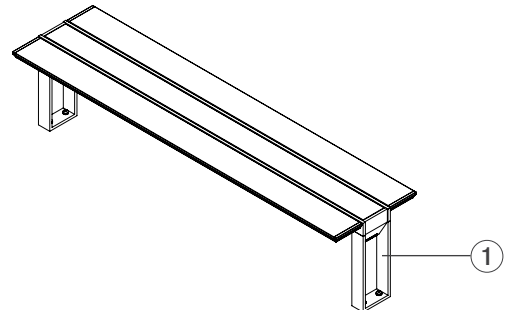
|       |             |   |
|-------|-------------|---|
| _____ | SBAPX-72SA  | Apex Bench, standalone, surface mount with narrow legs, aluminum slats                  |
| _____ | SBAPX-72SC  | Apex Bench, standalone, surface mount with narrow legs, FSC® 100% Cumaru hardwood slats |
| _____ | SBAPX-72SQA | Apex Bench, standalone, freestanding with square legs, aluminum slats                   |
| _____ | SBAPX-72SQC | Apex Bench, standalone, freestanding with square legs, FSC® 100% Cumaru hardwood slats  |
| _____ | SBAPX-72AA  | Apex Bench, for use with add-on section, surface mount, aluminum slats                  |
| _____ | SBAPX-72AC  | Apex Bench, for use with add-on section, surface mount, FSC® 100% Cumaru hardwood slats |
| _____ | SBAPX-72MA  | Apex Bench, Intermediate add-on section, surface mount, aluminum slats                  |
| _____ | SBAPX-72MC  | Apex Bench, Intermediate add-on section, surface mount, FSC® 100% Cumaru hardwood slats |
| _____ | SBAPX-72EA  | Apex Bench, End add-on section, surface mount, aluminum slats                           |
| _____ | SBAPX-72EC  | Apex Bench, End add-on section, surface mount, FSC® 100% Cumaru hardwood slats          |
| _____ | SBAPX-72A-W | Apex Bench, wall-top mount, aluminum slats  |
| _____ | SBAPX-72C-W | Apex Bench, wall-top mount, FSC® 100% Cumaru hardwood slats                             |

**OPTIONS**

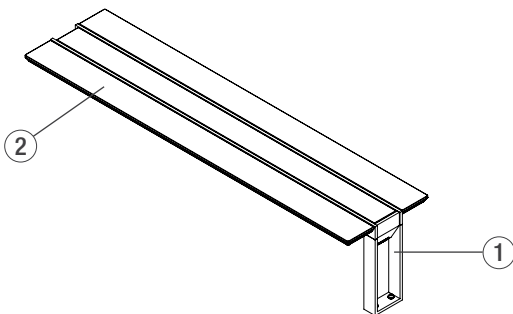
**APEX BENCH, STANDALONE, FREESTANDING WITH SQUARE LEGS, ALUMINUM SLATS**



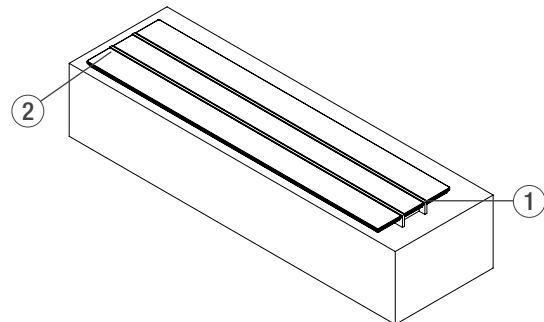
**APEX BENCH, STANDALONE, SURFACE MOUNT WITH NARROW LEGS, FSC® 100% CUMARU HARDWOOD SLATS**



**APEX BENCH, END ADD-ON SECTION, SURFACE MOUNT WITH NARROW LEG, ALUMINUM SLATS**



**APEX BENCH, WALL-TOP MOUNT, ALUMINUM SLATS**



1

Frame Powdercoat Colors

Please select **one** powdercoat color

Standard Texture from Forms+Surfaces Powdercoat Chart

- Alabaster Texture
- Aluminum Texture
- Argento Texture
- Aubergine Texture
- Black Texture
- Clay Texture
- Cool Grey Texture
- Dark Bronze Metallic Texture
- Dark Corten Texture
- Dark Grey Metallic Texture
- Deep Ocean Texture
- Ink Blue Texture
- Moss Texture
- Silver Texture
- Slate Texture
- White Texture

Custom RAL Powdercoat Color

(please call for pricing information)

RAL Color: \_\_\_\_\_

2

Aluminum Slat Powdercoat Colors

Please select **one** powdercoat color

Standard Texture from Forms+Surfaces Powdercoat Chart

- Alabaster Texture
- Aluminum Texture
- Argento Texture
- Aubergine Texture
- Black Texture
- Clay Texture
- Cool Grey Texture
- Dark Bronze Metallic Texture
- Dark Corten Texture
- Dark Grey Metallic Texture
- Deep Ocean Texture
- Ink Blue Texture
- Moss Texture
- Silver Texture
- Slate Texture
- White Texture

Custom RAL Powdercoat Color

(please call for pricing information)

RAL Color: \_\_\_\_\_

Surface Mount Hardware Options

- Add F+S stainless steel mounting hardware kit
- Do not include F+S mounting hardware kit

\*Hardware is required for surface mount benches. Mounting kits can be purchased from F+S for an additional charge.

NOTES

---



---



---

Please send completed forms to [sales@forms-surfaces.com](mailto:sales@forms-surfaces.com) or contact us at 800.451.0410 with any questions.

FSC License Code: FSC-C004453