

PROJECT NAME: _____

DATE: _____

JOB LOCATION: _____

COMPANY: _____

SPECIFIER: _____

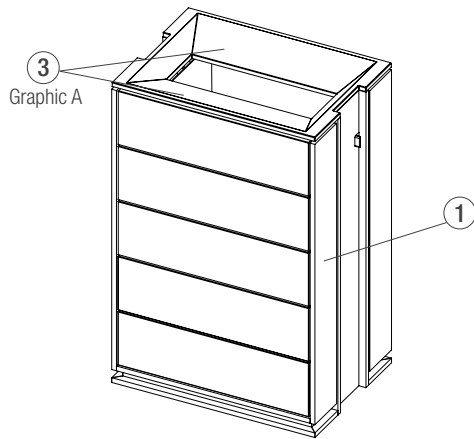
PLEASE USE ADOBE READER OR ADOBE ACROBAT TO FILL OUT AND SAVE FORM. USING OTHER PROGRAMS COULD RESULT IN UNSAVED DATA.

MODEL

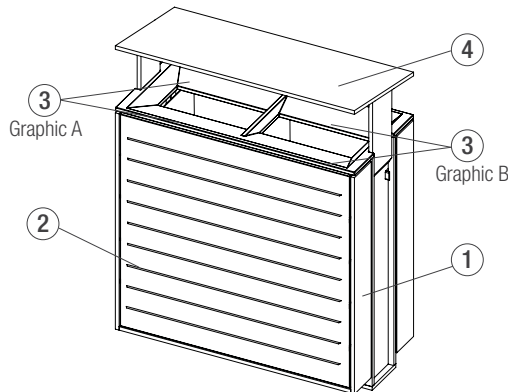
QUANTITY	MODEL	
_____	SLAPX-24C	Apex Receptacle, 24-gallon, single-stream, FSC® 100% Cumaru hardwood
_____	SLAPX-24S	Apex Receptacle, 24-gallon, single-stream, stainless steel
_____	SLAPX-136C	Apex Receptacle, 36-gallon, single-stream, FSC 100% Cumaru hardwood
_____	SLAPX-136S	Apex Receptacle, 36-gallon, single-stream, stainless steel
_____	SLAPX-36C	Apex Receptacle, 36-gallon, split-stream, FSC 100% Cumaru hardwood
_____	SLAPX-36S	Apex Receptacle, 36-gallon, split-stream, stainless steel

OPTIONS

APEX RECEPTACLE, 24-GALLON, SINGLE-STREAM; CUMARU, FREESTANDING SHOWN



APEX RECEPTACLE, 36-GALLON, SPLIT-STREAM WITH RAIN COVER; STAINLESS STEEL, SURFACE MOUNT SHOWN



①

Powdercoat Finish Options

Please select one option below.

Standard Texture from Forms+Surfaces Powdercoat Chart

- | | |
|---|---|
| <input type="checkbox"/> Alabaster Texture | <input type="checkbox"/> Dark Corten Texture |
| <input type="checkbox"/> Aluminum Texture | <input type="checkbox"/> Dark Grey Metallic Texture |
| <input type="checkbox"/> Argento Texture | <input type="checkbox"/> Deep Ocean Texture |
| <input type="checkbox"/> Aubergine Texture | <input type="checkbox"/> Ink Blue Texture |
| <input type="checkbox"/> Black Texture | <input type="checkbox"/> Moss Texture |
| <input type="checkbox"/> Clay Texture | <input type="checkbox"/> Silver Texture |
| <input type="checkbox"/> Cool Grey Texture | <input type="checkbox"/> Slate Texture |
| <input type="checkbox"/> Dark Bronze Metallic Texture | <input type="checkbox"/> White Texture |

Custom RAL Powdercoat Color

(please call for pricing information)

RAL Color: _____

②

Stainless Steel Finish Options (SLAPX-24S, 136S, & 36S)

Please select one option below.

- | | |
|------------------------------------|----------------------------------|
| <input type="checkbox"/> Sandstone | <input type="checkbox"/> Diamond |
| <input type="checkbox"/> Seastone | <input type="checkbox"/> Satin |

GRAPHIC EXAMPLES

Single-Stream Graphics: Examples



Split-Stream Graphics: Examples



3

Graphics Message & Background Color Options

Please select a message and color for Graphic A for single-stream models, or both Graphic A and B for split-stream models. **NOTE:** All letters and symbols are white; specified color is for the graphic's background.

Graphic A message

- no graphic
- litter*
- landfill*
- recycling
- bottles & cans
- paper
- compost

Graphic A background color

- black
- blue
- green

*Note: Litter and Landfill graphics are only available with black background color.

Graphic B message

- no graphic
- litter*
- landfill*
- recycling
- bottles & cans
- paper
- compost

Graphic B background color

- black
- blue
- green

*Note: Litter and Landfill graphics are only available with black background color.

4

Rain Cover

- Yes
- No

Latch Options

- Standard lift latch
- Tool-operated security latch

Mounting Options

- Freestanding with levelers
- Surface Mount*
 - Add F+S stainless steel mounting hardware kit*
 - Do not include F+S mounting hardware kit

**Hardware is required for surface mount litter receptacles. Mounting kits can be purchased from F+S for an additional charge.*

NOTES

Please send completed forms to sales@forms-surfaces.com or contact us at **800.451.0410** with any questions.

FSC License Code: FSC-C004453