

PROJECT NAME: \_\_\_\_\_

DATE: \_\_\_\_\_

JOB LOCATION: \_\_\_\_\_

COMPANY: \_\_\_\_\_

SPECIFIER: \_\_\_\_\_

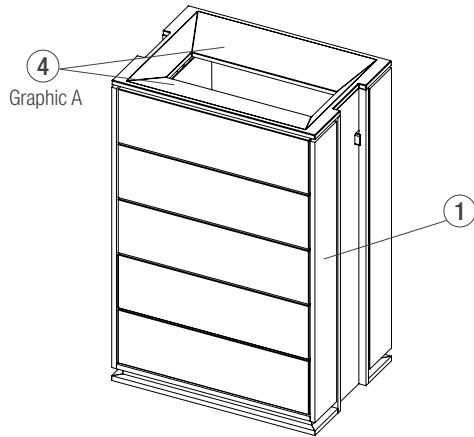
PLEASE USE ADOBE READER OR ADOBE ACROBAT TO FILL OUT AND SAVE FORM. USING OTHER PROGRAMS COULD RESULT IN UNSAVED DATA.

**MODEL**

QUANTITY	MODEL	
_____	SLAPX-24C	Apex Receptacle, 24-gallon, single-stream, FSC® 100% Cumaru hardwood
_____	SLAPX-24S	Apex Receptacle, 24-gallon, single-stream, stainless steel
_____	SLAPX-136C	Apex Receptacle, 36-gallon, single-stream, FSC® 100% Cumaru hardwood
_____	SLAPX-136S	Apex Receptacle, 36-gallon, single-stream, stainless steel
_____	SLAPX-36C	Apex Receptacle, 36-gallon, split-stream, FSC® 100% Cumaru hardwood
_____	SLAPX-36S	Apex Receptacle, 36-gallon, split-stream, stainless steel

**OPTIONS**

**APEX RECEPTACLE, 24-GALLON, SINGLE-STREAM; CUMARU, FREESTANDING SHOWN**



**① Powdercoat Color Options**

Please select **one** option below and write in specified color.

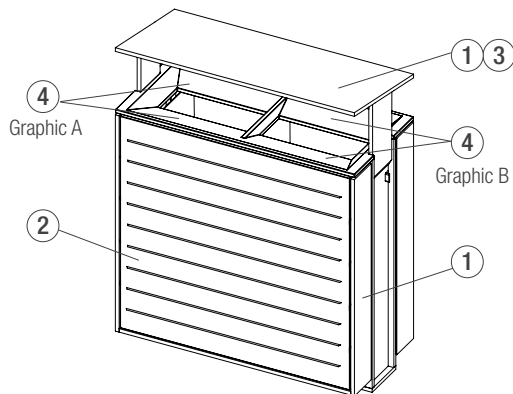
Standard Texture from F+S Powdercoat Chart

\_\_\_\_\_

Custom RAL Powdercoat Color (subject to upcharge)

\_\_\_\_\_

**APEX RECEPTACLE, 36-GALLON, SPLIT-STREAM WITH RAIN COVER; STAINLESS STEEL, SURFACE MOUNT SHOWN**



**② Stainless Steel Finish Options (SLAPX-24S, 136S, & 36S)**

Please select **one** option below.

Sandstone

Diamond

Seastone

Satin

**③ Rain Cover (Subject to upcharge)**

Specified

Not Specified

**Latch Options**

Standard lift latch

Tool-operated security latch

**GRAPHIC EXAMPLES**

Single-Stream Graphics: Examples



Split-Stream Graphics: Examples



**4 Graphics Message & Background Color Options**

Please select a message and color for Graphic A for single-stream models, or both Graphic A and B for split-stream models. **NOTE:** All letters and symbols are white; specified color is for the graphic's background.

**Graphic A message**

- no graphic
- litter\*
- landfill\*
- recycling
- bottles & cans
- paper
- compost

**Graphic A background color**

- black
- blue
- green

\*Note: Litter and Landfill graphics are only available with black background color.

**Graphic B message**

- no graphic
- litter\*
- landfill\*
- recycling
- bottles & cans
- paper
- compost

**Graphic B background color**

- black
- blue
- green

\*Note: Litter and Landfill graphics are only available with black background color.

**Mounting Options**

- Freestanding with levelers
- Surface Mount\*
  - Add F+S stainless steel mounting hardware kit\*
  - Do not include F+S mounting hardware kit

\*Hardware is required for surface mount litter receptacles. Mounting kits can be purchased from F+S for an additional charge.

**NOTES**

---



---



---

Please send completed forms to [sales@forms-surfaces.com](mailto:sales@forms-surfaces.com) or contact us at **800.451.0410** with any questions.

FSC License Code: FSC-C004453

T 800.451.0410 | [www.forms-surfaces.com](http://www.forms-surfaces.com)

**FORMS+SURFACES®**

© 2023 Forms+Surfaces® | All dimensions are nominal. Specifications and pricing subject to change without notice. For the most current version of this document, please refer to our website at [www.forms-surfaces.com](http://www.forms-surfaces.com).