

PROJECT NAME: _____

DATE: _____

JOB LOCATION: _____

COMPANY: _____

PLEASE USE ADOBE READER OR ADOBE ACROBAT TO FILL OUT AND SAVE FORM. USING OTHER PROGRAMS COULD RESULT IN UNSAVED DATA.

MODEL

QUANTITY	MODEL	
_____	STAPX-0BC	Apex Table
_____	STAPX-2BC	Apex Table Ensemble, two benches
_____	STAPX-3BC	Apex Table Ensemble, three bench ADA option
_____	STAPX-4BC	Apex Table Ensemble, four benches

OPTIONS

FIG 1: APEX TABLE ENSEMBLE, TWO BENCHES

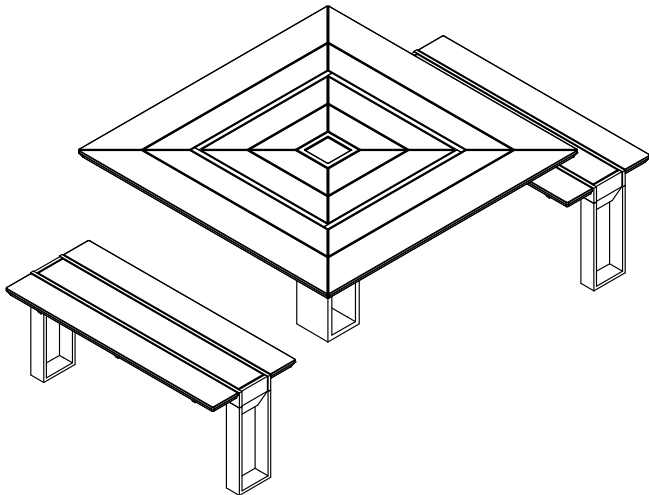
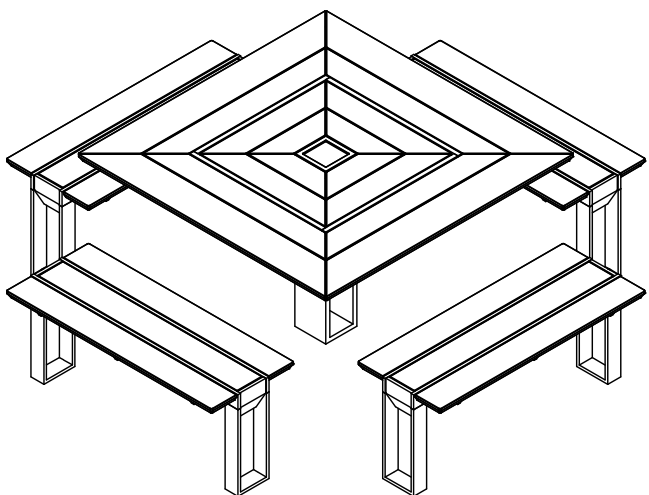


FIG 2: APEX TABLE ENSEMBLE, FOUR BENCHES



1

Frame Powdercoat Colors

Please select one powdercoat color.

Standard Texture from Forms+Surfaces Powdercoat Chart

- | | |
|---|---|
| <input type="checkbox"/> Alabaster Texture | <input type="checkbox"/> Dark Corten Texture |
| <input type="checkbox"/> Aluminum Texture | <input type="checkbox"/> Dark Grey Metallic Texture |
| <input type="checkbox"/> Argento Texture | <input type="checkbox"/> Deep Ocean Texture |
| <input type="checkbox"/> Aubergine Texture | <input type="checkbox"/> Ink Blue Texture |
| <input type="checkbox"/> Black Texture | <input type="checkbox"/> Moss Texture |
| <input type="checkbox"/> Clay Texture | <input type="checkbox"/> Silver Texture |
| <input type="checkbox"/> Cool Grey Texture | <input type="checkbox"/> Slate Texture |
| <input type="checkbox"/> Dark Bronze Metallic Texture | <input type="checkbox"/> White Texture |

Custom RAL Powdercoat Color

(please call for pricing information)

- RAL Color: _____

2

Umbrella Hole and Sleeve

Required for use with the Soleris Sunshade

- No Umbrella Hole
- Umbrella Hole and Sleeve
(add \$40 per table ensemble)
- Umbrella Hole for use with Soleris Sunshade
(add \$40 per table ensemble)

NOTES

Please send completed forms to sales@forms-surfaces.com or contact us at **800.451.0410** with any questions.