

PROJECT NAME: \_\_\_\_\_

DATE: \_\_\_\_\_

JOB LOCATION: \_\_\_\_\_

COMPANY: \_\_\_\_\_

SPECIFIER: \_\_\_\_\_

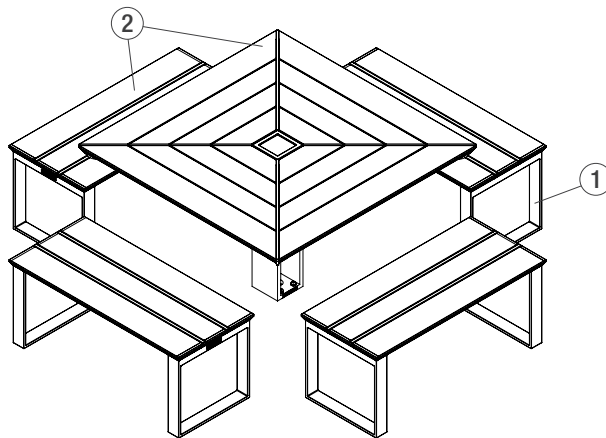
PLEASE USE ADOBE READER OR ADOBE ACROBAT TO FILL OUT AND SAVE FORM. USING OTHER PROGRAMS COULD RESULT IN UNSAVED DATA.

**MODEL**

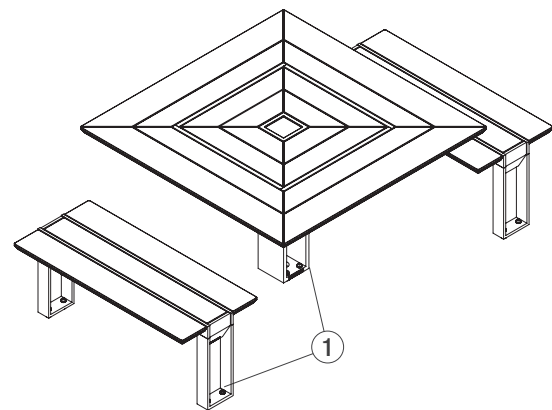
QUANTITY	MODEL	
_____	STAPX-OBA	Apex Table, aluminum slats
_____	STAPX-OBC	Apex Table, FSC® 100% Cumaru hardwood slats
_____	STAPX-2BA	Apex Table Ensemble, two surface mount benches with narrow legs, aluminum slats
_____	STAPX-2BC	Apex Table Ensemble, two surface mount benches with narrow legs, FSC® 100% Cumaru hardwood slats
_____	STAPX-2BQA	Apex Table Ensemble, two freestanding benches with square legs, aluminum slats
_____	STAPX-2BQC	Apex Table Ensemble, two freestanding benches with square legs, FSC® 100% Cumaru hardwood slats
_____	STAPX-3BA	Apex Table Ensemble, three surface mount benches with narrow legs, ADA option, aluminum slats
_____	STAPX-3BC	Apex Table Ensemble, three surface mount benches with narrow legs, ADA option, FSC® 100% Cumaru hardwood slats
_____	STAPX-3BQA	Apex Table Ensemble, three freestanding benches with square legs, ADA option, aluminum slats
_____	STAPX-3BQC	Apex Table Ensemble, three freestanding benches with square legs, ADA option, FSC® 100% Cumaru hardwood slats
_____	STAPX-4BA	Apex Table Ensemble, four surface mount benches with narrow legs, aluminum slats
_____	STAPX-4BC	Apex Table Ensemble, four surface mount benches with narrow legs, FSC® 100% Cumaru hardwood slats
_____	STAPX-4BQA	Apex Table Ensemble, four freestanding benches with square legs, aluminum slats
_____	STAPX-4BQC	Apex Table Ensemble, four freestanding benches with square legs, FSC® 100% Cumaru hardwood slats

**OPTIONS**

**APEX TABLE ENSEMBLE, FOUR FREESTANDING BENCHES WITH SQUARE LEGS, ALUMINUM SLATS**



**APEX TABLE ENSEMBLE, TWO SURFACE MOUNT BENCHES WITH NARROW LEGS, FSC® 100% CUMARU HARDWOOD SLATS**



①

**Frame Powdercoat Colors**

Please select **one** powdercoat color

**Standard Texture from Forms+Surfaces Powdercoat Chart**

- |   |   |
|---|---|
| <input type="checkbox"/> Alabaster Texture            | <input type="checkbox"/> Dark Corten Texture        |
| <input type="checkbox"/> Aluminum Texture             | <input type="checkbox"/> Dark Grey Metallic Texture |
| <input type="checkbox"/> Argento Texture              | <input type="checkbox"/> Deep Ocean Texture         |
| <input type="checkbox"/> Aubergine Texture            | <input type="checkbox"/> Ink Blue Texture           |
| <input type="checkbox"/> Black Texture                | <input type="checkbox"/> Moss Texture               |
| <input type="checkbox"/> Clay Texture                 | <input type="checkbox"/> Silver Texture             |
| <input type="checkbox"/> Cool Grey Texture            | <input type="checkbox"/> Slate Texture              |
| <input type="checkbox"/> Dark Bronze Metallic Texture | <input type="checkbox"/> White Texture              |

**Custom RAL Powdercoat Color**

(please call for pricing information)

- RAL Color: \_\_\_\_\_

②

**Aluminum Slat Powdercoat Colors**

Please select **one** powdercoat color

**Standard Texture from Forms+Surfaces Powdercoat Chart**

- |   |   |
|---|---|
| <input type="checkbox"/> Alabaster Texture            | <input type="checkbox"/> Dark Corten Texture        |
| <input type="checkbox"/> Aluminum Texture             | <input type="checkbox"/> Dark Grey Metallic Texture |
| <input type="checkbox"/> Argento Texture              | <input type="checkbox"/> Deep Ocean Texture         |
| <input type="checkbox"/> Aubergine Texture            | <input type="checkbox"/> Ink Blue Texture           |
| <input type="checkbox"/> Black Texture                | <input type="checkbox"/> Moss Texture               |
| <input type="checkbox"/> Clay Texture                 | <input type="checkbox"/> Silver Texture             |
| <input type="checkbox"/> Cool Grey Texture            | <input type="checkbox"/> Slate Texture              |
| <input type="checkbox"/> Dark Bronze Metallic Texture | <input type="checkbox"/> White Texture              |

**Custom RAL Powdercoat Color**

(please call for pricing information)

- RAL Color: \_\_\_\_\_

**Umbrella Hole**

Please select **one** option below

- No Umbrella Hole
- Umbrella Hole and Sleeve (subject to upcharge)
- Umbrella Hole for use with Soleris Sunshade (subject to upcharge)

**Surface Mount Hardware Options**

- Add F+S stainless steel mounting hardware kit\*
- Do not include F+S mounting hardware kit

*\*Hardware is required for surface mount tables & chairs. Mounting kits can be purchased from F+S for an additional charge.*

**NOTES**

---



---



---

Please send completed forms to [sales@forms-surfaces.com](mailto:sales@forms-surfaces.com) or contact us at **800.451.0410** with any questions.

FSC License Code: FSC-C004453