

PROJECT NAME: _____

DATE: _____

JOB LOCATION: _____

COMPANY: _____

SPECIFIER: _____

PLEASE USE ADOBE READER OR ADOBE ACROBAT TO FILL OUT AND SAVE FORM. USING OTHER PROGRAMS COULD RESULT IN UNSAVED DATA.

MODEL

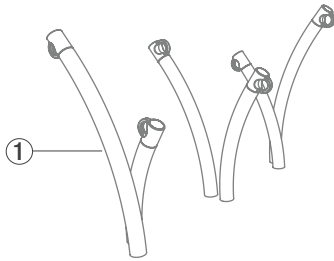
QUANTITY

MODEL

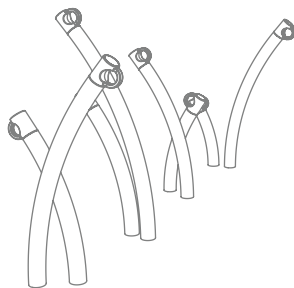
_____	CONFIGURATION A-CIP	Bike Garden Bike Rack, cast-in-place, (1) b, (2) c, (1) d, (2) e
_____	CONFIGURATION B-CIP	Bike Garden Bike Rack, cast-in-place, (1) a, (1) b, (2) c, (1) d, (2) e, (1) f
_____	CONFIGURATION C-CIP	Bike Garden Bike Rack, cast-in-place, (1) a, (2) b, (2) c, (2) d, (2) e, (1) f
_____	CONFIGURATION A-SM	Bike Garden Bike Rack, surface mount, (1) b, (2) c, (1) d, (2) e
_____	CONFIGURATION B-SM	Bike Garden Bike Rack, surface mount, (1) a, (1) b, (2) c, (1) d, (2) e, (1) f
_____	CONFIGURATION C-SM	Bike Garden Bike Rack, surface mount, (1) a, (2) b, (2) c, (2) d, (2) e, (1) f

OPTIONS

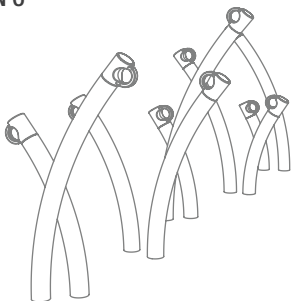
CONFIGURATION A



CONFIGURATION B



CONFIGURATION C



①

Finish Options

Please select one color or finish option.

Stainless Steel Finish

Satin

Standard Texture from Forms+Surfaces Powdercoat Chart

- | | |
|---|---|
| <input type="checkbox"/> Alabaster Texture | <input type="checkbox"/> Dark Corten Texture |
| <input type="checkbox"/> Aluminum Texture | <input type="checkbox"/> Dark Grey Metallic Texture |
| <input type="checkbox"/> Argento Texture | <input type="checkbox"/> Deep Ocean Texture |
| <input type="checkbox"/> Aubergine Texture | <input type="checkbox"/> Ink Blue Texture |
| <input type="checkbox"/> Black Texture | <input type="checkbox"/> Moss Texture |
| <input type="checkbox"/> Clay Texture | <input type="checkbox"/> Silver Texture |
| <input type="checkbox"/> Cool Grey Texture | <input type="checkbox"/> Slate Texture |
| <input type="checkbox"/> Dark Bronze Metallic Texture | <input type="checkbox"/> White Texture |

Custom RAL Powdercoat Color

(please call for pricing information)

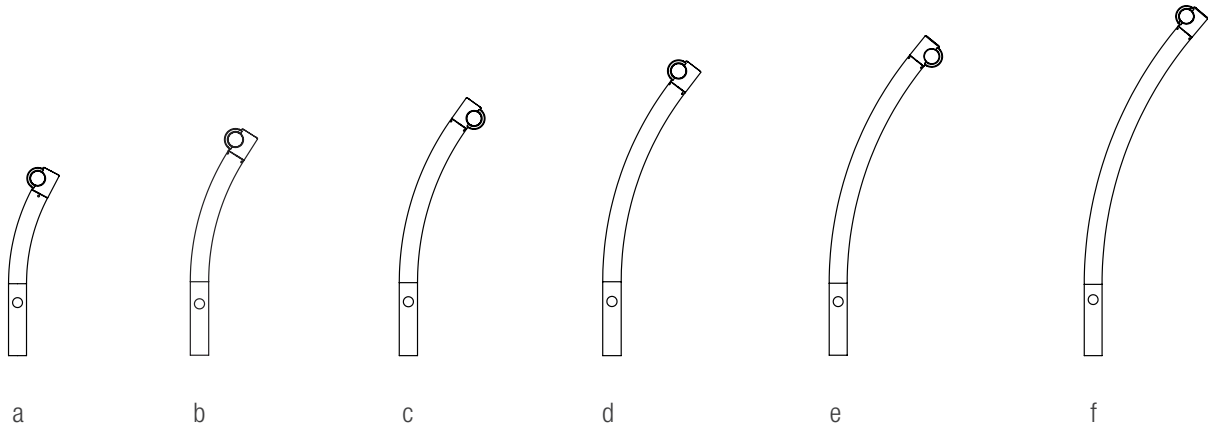
RAL Color: _____

Surface Mount Hardware Options

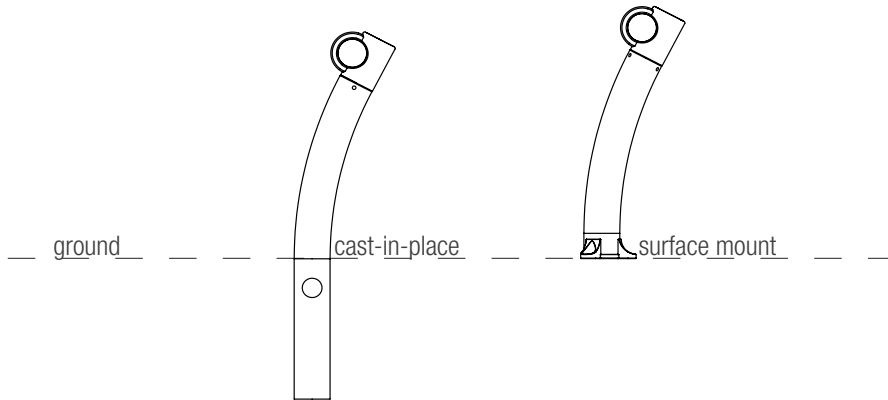
- Add F+S stainless steel mounting hardware kit*
- Do not include F+S mounting kit

*Hardware is required for surface mount bike racks. Mounting kits can be purchased from F+S for an additional charge.

STEM PROFILES (cast-in-place shown)



MOUNTING OPTIONS



NOTES

Please send completed forms to sales@forms-surfaces.com or contact us at 800.451.0410 with any questions.