

PROJECT NAME: _____

DATE: _____

JOB LOCATION: _____

COMPANY: _____

SPECIFIER: _____

PLEASE USE ADOBE READER OR ADOBE ACROBAT TO FILL OUT AND SAVE FORM. USING OTHER PROGRAMS COULD RESULT IN UNSAVED DATA.

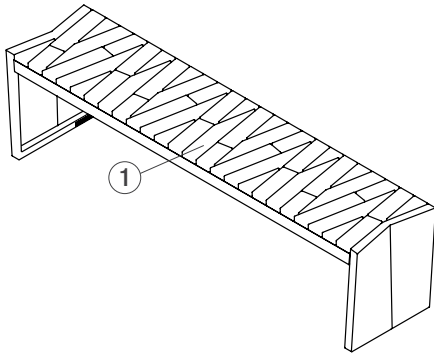
MODEL

QUANTITY	MODEL
_____	SBBWK-72AC Boardwalk Bench, FSC® Recycled 100% Cumaru hardwood slats

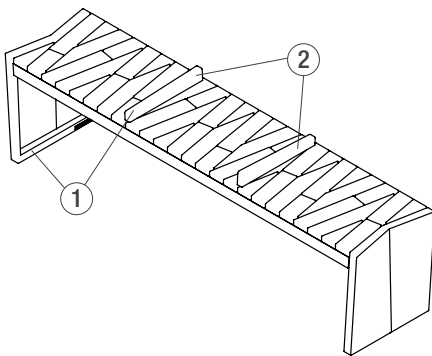
FSC License Code: FSC-C004453

OPTIONS

FREESTANDING BENCH



FREESTANDING BENCH WITH SEAT DIVIDERS



①

Frame & Seat Divider Finish Options

Please select **one** option below.

NOTE: Due to the inherent nature of metal castings, gloss powdercoats are not offered on cast components.

Standard Texture from Forms+Surfaces Powdercoat Chart

- | | |
|------------------------------|----------------------------|
| Alabaster Texture | Dark Corten Texture |
| Aluminum Texture | Dark Grey Metallic Texture |
| Argento Texture | Deep Ocean Texture |
| Aubergine Texture | Ink Blue Texture |
| Black Texture | Moss Texture |
| Clay Texture | Silver Texture |
| Cool Grey Texture | Slate Texture |
| Dark Bronze Metallic Texture | White Texture |

Custom RAL Powdercoat Color

(please call for pricing information)

RAL Color: _____

Mounting Options

Freestanding

Surface Mount*

Add F+S stainless steel mounting hardware kit*

Do not include F+S mounting kit

**Hardware is required for surface mount benches. Mounting kits can be purchased from F+S for an additional charge.*

②

Seat Divider Options

Seat Divider(s): Yes *(subject to upcharge)*

No

NOTES

Please send completed forms to sales@forms-surfaces.com or contact us at **800.451.0410** with any questions.