

PROJECT NAME: _____

DATE: _____

JOB LOCATION: _____

COMPANY: _____

PLEASE USE ADOBE READER OR ADOBE ACROBAT TO FILL OUT AND SAVE FORM. USING OTHER PROGRAMS COULD RESULT IN UNSAVED DATA.

MODEL

QUANTITY

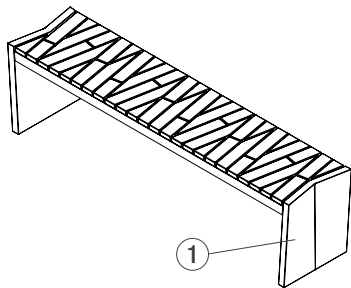
MODEL

_____ SBBWK-72AC Boardwalk Bench, FSC® Recycled reclaimed Cumaru hardwood slats

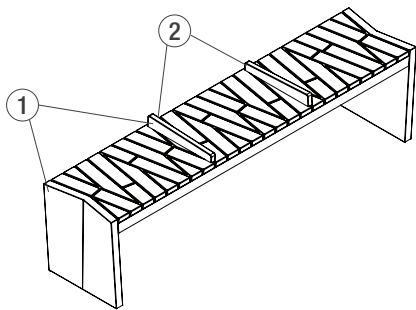
FSC License Code: FSC-C004453

OPTIONS

**FIG. 1
FREESTANDING BENCH**



**FIG. 2
FREESTANDING BENCH WITH SEAT DIVIDERS**



①

Frame & Seat Divider Finish Options

Please select **one** option below.

NOTE: Due to the inherent nature of metal castings, gloss powdercoats are not offered for cast components.

Standard Texture from Forms+Surfaces Powdercoat Chart

- | | |
|---|---|
| <input type="checkbox"/> Aluminum Texture | <input type="checkbox"/> Dark Grey Metallic Texture |
| <input type="checkbox"/> Argento Texture | <input type="checkbox"/> Evergreen Texture |
| <input type="checkbox"/> Black Texture | <input type="checkbox"/> Ink Blue Texture |
| <input type="checkbox"/> Blue Texture | <input type="checkbox"/> Silver Texture |
| <input type="checkbox"/> Cream Texture | <input type="checkbox"/> Slate Texture |
| <input type="checkbox"/> Dark Bronze Metallic Texture | <input type="checkbox"/> White Texture |

Premium Texture from Forms+Surfaces Powdercoat Chart

(add \$200 per color/per order)

- | | |
|--|---|
| <input type="checkbox"/> Azure Texture | <input type="checkbox"/> Dark Corten Texture |
| <input type="checkbox"/> Lime Texture | <input type="checkbox"/> Light Corten Texture |

Custom RAL Powdercoat Color

(please call for pricing information)

- RAL Color: _____

②

Seat Divider Options

- Seat Dividers Yes No
(add \$85 per seat divider)

Mounting Options

- Freestanding
 Surface mount

NOTES

Please send completed forms to sales@forms-surfaces.com or contact us at **800.451.0410** with any questions.

T 800.451.0410 | www.forms-surfaces.com

FORMS+SURFACES®