

PROJECT NAME: \_\_\_\_\_

DATE: \_\_\_\_\_

JOB LOCATION: \_\_\_\_\_

COMPANY: \_\_\_\_\_

PLEASE USE ADOBE READER OR ADOBE ACROBAT TO FILL OUT AND SAVE FORM. USING OTHER PROGRAMS COULD RESULT IN UNSAVED DATA.

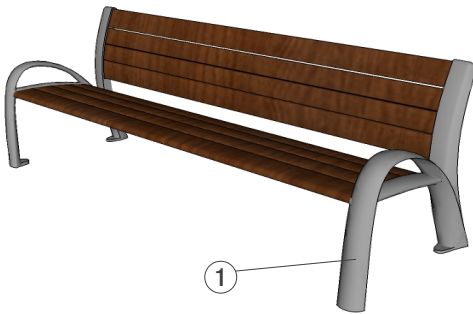
**MODEL**

QUANTITY	MODEL	
_____	SBCAM-72BA	Camber Bench, 6-foot, extruded aluminum slats
_____	SBCAM-72BW	Camber Bench, 6-foot, FSC® 100% Ipé hardwood slats
_____	SBCAM-96BA	Camber Bench, 8-foot, extruded aluminum slats

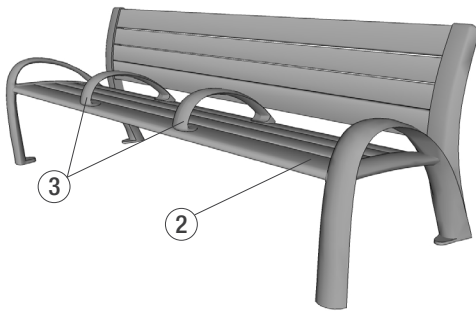
FSC License Code: FSC-C004453

**OPTIONS**

**FIG 1: IPÉ WOOD SLATS, NO INTERMEDIATE ARMRESTS**



**FIG 2: ALUMINUM SLATS, TWO INTERMEDIATE ARMRESTS**



①

**Frame Color Options**

Please select **one** powdercoat color.

NOTE: Due to the inherent nature of metal castings, gloss powdercoats are not offered on cast components.

**Standard Texture from Forms+Surfaces Powdercoat Chart**

- |   |   |
|---|---|
| <input type="checkbox"/> Aluminum Texture             | <input type="checkbox"/> Dark Grey Metallic Texture |
| <input type="checkbox"/> Argento Texture              | <input type="checkbox"/> Evergreen Texture          |
| <input type="checkbox"/> Black Texture                | <input type="checkbox"/> Ink Blue Texture           |
| <input type="checkbox"/> Blue Texture                 | <input type="checkbox"/> Silver Texture             |
| <input type="checkbox"/> Cream Texture                | <input type="checkbox"/> Slate Texture              |
| <input type="checkbox"/> Dark Bronze Metallic Texture | <input type="checkbox"/> White Texture              |

**Premium Texture from Forms+Surfaces Powdercoat Chart**

(add \$200 per color/per order)

- |  |   |
|--|---|
| <input type="checkbox"/> Azure Texture | <input type="checkbox"/> Dark Corten Texture  |
| <input type="checkbox"/> Lime Texture  | <input type="checkbox"/> Light Corten Texture |

**Custom RAL Powdercoat Color**

(please call for pricing information)

- RAL Color: \_\_\_\_\_

②

**Slat Color Options** (for models with aluminum slats)

Please select either clear anodized **or** a powdercoat option.

Clear Anodized aluminum

**Standard Texture from Forms+Surfaces Powdercoat Chart**

- |   |   |
|---|---|
| <input type="checkbox"/> Aluminum Texture             | <input type="checkbox"/> Dark Grey Metallic Texture |
| <input type="checkbox"/> Argento Texture              | <input type="checkbox"/> Evergreen Texture          |
| <input type="checkbox"/> Black Texture                | <input type="checkbox"/> Ink Blue Texture           |
| <input type="checkbox"/> Blue Texture                 | <input type="checkbox"/> Silver Texture             |
| <input type="checkbox"/> Cream Texture                | <input type="checkbox"/> Slate Texture              |
| <input type="checkbox"/> Dark Bronze Metallic Texture | <input type="checkbox"/> White Texture              |

**Premium Texture from Forms+Surfaces Powdercoat Chart**

(add \$200 per color/per order)

- |  |   |
|--|---|
| <input type="checkbox"/> Azure Texture | <input type="checkbox"/> Dark Corten Texture  |
| <input type="checkbox"/> Lime Texture  | <input type="checkbox"/> Light Corten Texture |

**Custom RAL Powdercoat Color**

(please call for pricing information)

RAL Color: \_\_\_\_\_

**Mounting Options**

- Freestanding  
 Surface Mount

③

**Intermediate Armrest Options**

Please select **one** option below.

**Intermediate Armrest(s)**  Yes  No  
 (add \$95 per armrest)

**Armrest location(s)**

- One armrest, centered  
 Two armrests, evenly spaced  
 Three armrests, evenly spaced (8-foot benches only)  
 One armrest, off-center  
 Please specify location: \_\_\_\_\_  
 Two armrests, off-center  
 Please specify location: \_\_\_\_\_  
 Three armrests, off-center (8-foot benches only)  
 Please specify location: \_\_\_\_\_

**NOTES**

---



---



---

Please send completed forms to [sales@forms-surfaces.com](mailto:sales@forms-surfaces.com) or contact us at **800.451.0410** with any questions.