

PROJECT NAME: _____

DATE: _____

JOB LOCATION: _____

COMPANY: _____

PLEASE USE ADOBE READER OR ADOBE ACROBAT TO FILL OUT AND SAVE FORM. USING OTHER PROGRAMS COULD RESULT IN UNSAVED DATA.

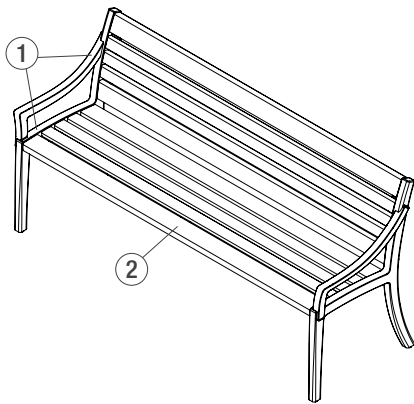
MODEL

QUANTITY	MODEL	
_____	SBCOR-72BW	Cordia Bench, FSC® 100% Jatoba hardwood slats, 6-foot, backed
_____	SBCOR-72NW	Cordia Bench, FSC 100% Jatoba hardwood slats, 6-foot, backless
_____	SBCOR-72BA	Cordia Bench, aluminum slats, 6-foot, backed
_____	SBCOR-72NA	Cordia Bench, aluminum slats, 6-foot, backless

FSC License Code: FSC-C004453

OPTIONS

FIG. 1: CORDIA BENCH, ALUMINUM SLATS, BACKED



①

Frame Powdercoat Colors

Please select **one** powdercoat color.

NOTE: Due to the inherent nature of metal castings, gloss powdercoats are not offered on cast components.

Standard Texture from Forms+Surfaces Powdercoat Chart

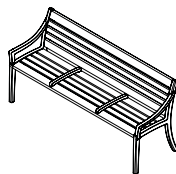
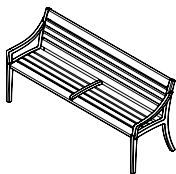
- | | |
|---|---|
| <input type="checkbox"/> Alabaster Texture | <input type="checkbox"/> Dark Corten Texture |
| <input type="checkbox"/> Aluminum Texture | <input type="checkbox"/> Dark Grey Metallic Texture |
| <input type="checkbox"/> Argento Texture | <input type="checkbox"/> Deep Ocean Texture |
| <input type="checkbox"/> Aubergine Texture | <input type="checkbox"/> Ink Blue Texture |
| <input type="checkbox"/> Black Texture | <input type="checkbox"/> Moss Texture |
| <input type="checkbox"/> Clay Texture | <input type="checkbox"/> Silver Texture |
| <input type="checkbox"/> Cool Grey Texture | <input type="checkbox"/> Slate Texture |
| <input type="checkbox"/> Dark Bronze Metallic Texture | <input type="checkbox"/> White Texture |

Custom RAL Powdercoat Color

(please call for pricing information)

RAL Color: _____

FIG. 2: SEAT DIVIDER LOCATIONS, 6 FOOT BENCH



Ⓐ One centered seat divider

Ⓑ Two intermediate seat dividers

②

Aluminum Slat Powdercoat Color

Please select one color option below.

Standard Texture from Forms+Surfaces Powdercoat Chart

- | | |
|---|---|
| <input type="checkbox"/> Alabaster Texture | <input type="checkbox"/> Dark Corten Texture |
| <input type="checkbox"/> Aluminum Texture | <input type="checkbox"/> Dark Grey Metallic Texture |
| <input type="checkbox"/> Argento Texture | <input type="checkbox"/> Deep Ocean Texture |
| <input type="checkbox"/> Aubergine Texture | <input type="checkbox"/> Ink Blue Texture |
| <input type="checkbox"/> Black Texture | <input type="checkbox"/> Moss Texture |
| <input type="checkbox"/> Clay Texture | <input type="checkbox"/> Silver Texture |
| <input type="checkbox"/> Cool Grey Texture | <input type="checkbox"/> Slate Texture |
| <input type="checkbox"/> Dark Bronze Metallic Texture | <input type="checkbox"/> White Texture |

Custom RAL Powdercoat Color

(please call for pricing information)

RAL Color: _____

Seat Divider Options

Seat Dividers Yes No

If yes, please specify location below (add \$85 per seat divider)

Location A B

Please see Figure 2, Seat Divider Locations, for options

Mounting Options

- Freestanding
- Surface mount

NOTES

Please send completed forms to sales@forms-surfaces.com or contact us at 800.451.0410 with any questions.