

PROJECT NAME: _____

DATE: _____

JOB LOCATION: _____

COMPANY: _____

PLEASE USE ADOBE READER OR ADOBE ACROBAT TO FILL OUT AND SAVE FORM. USING OTHER PROGRAMS COULD RESULT IN UNSAVED DATA.

MODEL

QUANTITY	MODEL	
_____	SBCOR-72BW	Cordia Bench, FSC® 100% Jatoba hardwood slats, 6-foot, backed
_____	SBCOR-72NW	Cordia Bench, FSC 100% Jatoba hardwood slats, 6-foot, backless
_____	SBCOR-72BA	Cordia Bench, aluminum slats, 6-foot, backed
_____	SBCOR-72NA	Cordia Bench, aluminum slats, 6-foot, backless

FSC License Code: FSC-C004453

OPTIONS

FIG. 1: CORDIA BENCH, ALUMINUM SLATS, BACKED

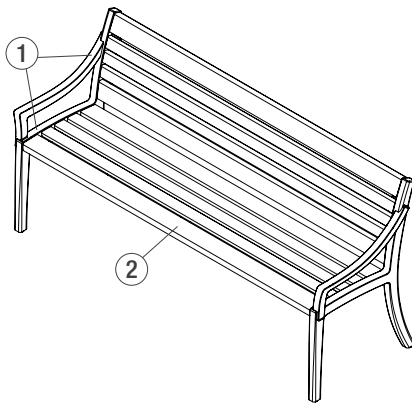
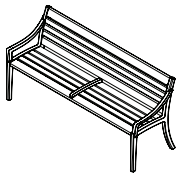
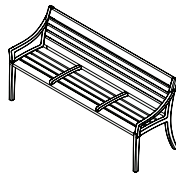


FIG. 2: SEAT DIVIDER LOCATIONS, 6 FOOT BENCH



(A) One centered seat divider



(B) Two intermediate seat dividers

①

Frame Powdercoat Color

Please select **one** color option below.

NOTE: Due to the inherent nature of metal castings, gloss powdercoats are not offered for cast components.

Standard Texture from Forms+Surfaces Powdercoat Chart

- | | |
|---|---|
| <input type="checkbox"/> Aluminum Texture | <input type="checkbox"/> Dark Grey Metallic Texture |
| <input type="checkbox"/> Argento Texture | <input type="checkbox"/> Evergreen Texture |
| <input type="checkbox"/> Black Texture | <input type="checkbox"/> Ink Blue Texture |
| <input type="checkbox"/> Blue Texture | <input type="checkbox"/> Silver Texture |
| <input type="checkbox"/> Cream Texture | <input type="checkbox"/> Slate Texture |
| <input type="checkbox"/> Dark Bronze Metallic Texture | <input type="checkbox"/> White Texture |

Premium Texture from Forms+Surfaces Powdercoat Chart

(add \$200 per color/per order)

- | | |
|--|---|
| <input type="checkbox"/> Azure Texture | <input type="checkbox"/> Dark Corten Texture |
| <input type="checkbox"/> Lime Texture | <input type="checkbox"/> Light Corten Texture |

Custom RAL Powdercoat Color

(please call for pricing information)

- RAL Color: _____

②

Aluminum Slat Powdercoat Color

Please select **one** color option below.

Standard Texture from Forms+Surfaces Powdercoat Chart

- Aluminum Texture
- Argento Texture
- Black Texture
- Blue Texture
- Cream Texture
- Dark Bronze Metallic Texture
- Dark Grey Metallic Texture
- Evergreen Texture
- Ink Blue Texture
- Silver Texture
- Slate Texture
- White Texture

Premium Texture from Forms+Surfaces Powdercoat Chart

(add \$200 per color/per order)

- Azure Texture
- Lime Texture
- Dark Corten Texture
- Light Corten Texture

Custom RAL Powdercoat Color

(please call for pricing information)

- RAL Color: _____

Seat Divider Options

Seat Dividers Yes No
If yes, please specify location below (add \$85 per seat divider)

Location A B
Please see Figure 2, Seat Divider Locations, for options

Mounting Options

- Freestanding
- Surface mount

NOTES _____

Please send completed forms to sales@forms-surfaces.com or contact us at **800.451.0410** with any questions.