

PROJECT NAME: _____

DATE: _____

JOB LOCATION: _____

COMPANY: _____

SPECIFIER: _____

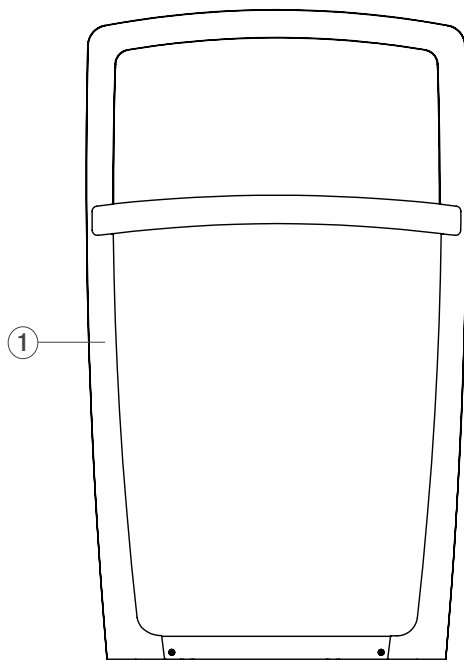
PLEASE USE ADOBE READER OR ADOBE ACROBAT TO FILL OUT AND SAVE FORM. USING OTHER PROGRAMS COULD RESULT IN UNSAVED DATA.

MODEL

QUANTITY	MODEL
_____	SKCOR Cordia Bike Rack

OPTIONS

CORDIA BIKE RACK



①

Cast Aluminum Body Color Options

*Please select **one** powdercoat color.*

NOTE: Due to the inherent nature of metal castings, gloss powdercoats are not offered on cast components.

Standard Texture from Forms+Surfaces Powdercoat Chart

- | | |
|-------------------------------------------------------|-----------------------------------------------------|
| <input type="checkbox"/> Alabaster Texture | <input type="checkbox"/> Dark Corten Texture |
| <input type="checkbox"/> Aluminum Texture | <input type="checkbox"/> Dark Grey Metallic Texture |
| <input type="checkbox"/> Argento Texture | <input type="checkbox"/> Deep Ocean Texture |
| <input type="checkbox"/> Aubergine Texture | <input type="checkbox"/> Ink Blue Texture |
| <input type="checkbox"/> Black Texture | <input type="checkbox"/> Moss Texture |
| <input type="checkbox"/> Clay Texture | <input type="checkbox"/> Silver Texture |
| <input type="checkbox"/> Cool Grey Texture | <input type="checkbox"/> Slate Texture |
| <input type="checkbox"/> Dark Bronze Metallic Texture | <input type="checkbox"/> White Texture |

Custom RAL Powdercoat Color

(please call for pricing information)

RAL Color: _____

Surface Mount Hardware Options

- Add F+S stainless steel mounting hardware kit*
- Do not include F+S mounting hardware kit

**Hardware is required for surface mount bike racks. Mounting kits can be purchased from F+S for an additional charge.*

NOTES _____

Please send completed forms to sales@forms-surfaces.com or contact us at **800.451.0410** with any questions.

T 800.451.0410 | www.forms-surfaces.com

FORMS+SURFACES®