

PROJECT NAME: _____

DATE: _____

JOB LOCATION: _____

COMPANY: _____

PLEASE USE ADOBE READER OR ADOBE ACROBAT TO FILL OUT AND SAVE FORM. USING OTHER PROGRAMS COULD RESULT IN UNSAVED DATA.

MODEL

QUANTITY	MODEL	
_____	SLCOR-136J	Cordia Receptacle, 36-gallon, single-stream, FSC® 100% Jatoba hardwood
_____	SLCOR-136A	Cordia Receptacle, 36-gallon, single-stream, aluminum
_____	SLCOR-218J	Cordia Receptacle, 36-gallon, split-stream, FSC 100% Jatoba hardwood
_____	SLCOR-218A	Cordia Receptacle, 36-gallon, split-stream, aluminum

FSC License Code: FSC-C004453

OPTIONS

FIG. 1: CORDIA RECEPTACLE, SINGLE-STREAM; WOOD INSET

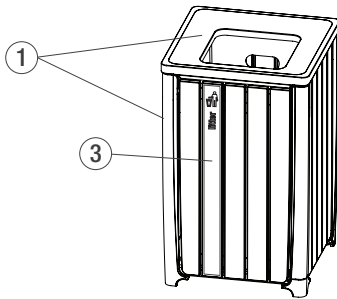
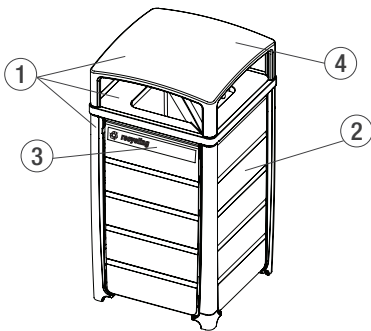


FIG. 2: CORDIA RECEPTACLE, SPLIT-STREAM WITH RAIN COVER; ALUMINUM INSET



①

Lid & Body Powdercoat Finish

Please select **one** option below.

NOTE: Due to the inherent nature of metal castings, gloss powdercoats are not offered for cast components.

Standard Texture from Forms+Surfaces Powdercoat Chart

- | | |
|---|---|
| <input type="checkbox"/> Aluminum Texture | <input type="checkbox"/> Dark Grey Metallic Texture |
| <input type="checkbox"/> Argento Texture | <input type="checkbox"/> Evergreen Texture |
| <input type="checkbox"/> Black Texture | <input type="checkbox"/> Ink Blue Texture |
| <input type="checkbox"/> Blue Texture | <input type="checkbox"/> Silver Texture |
| <input type="checkbox"/> Cream Texture | <input type="checkbox"/> Slate Texture |
| <input type="checkbox"/> Dark Bronze Metallic Texture | <input type="checkbox"/> White Texture |

Premium Texture from Forms+Surfaces Powdercoat Chart

(add \$200 per color/per order)

- | | |
|--|---|
| <input type="checkbox"/> Azure Texture | <input type="checkbox"/> Dark Corten Texture |
| <input type="checkbox"/> Lime Texture | <input type="checkbox"/> Light Corten Texture |

Custom RAL Powdercoat Color

(please call for pricing information)

- RAL Color: _____

2

Aluminum Inset Powdercoat Finish (SLCOR-136A & SLCOR-218A)

Please select **one** option below.

Standard Texture from Forms+Surfaces Powdercoat Chart

- | | |
|---|---|
| <input type="checkbox"/> Aluminum Texture | <input type="checkbox"/> Dark Grey Metallic Texture |
| <input type="checkbox"/> Argento Texture | <input type="checkbox"/> Evergreen Texture |
| <input type="checkbox"/> Black Texture | <input type="checkbox"/> Ink Blue Texture |
| <input type="checkbox"/> Blue Texture | <input type="checkbox"/> Silver Texture |
| <input type="checkbox"/> Cream Texture | <input type="checkbox"/> Slate Texture |
| <input type="checkbox"/> Dark Bronze Metallic Texture | <input type="checkbox"/> White Texture |

Premium Texture from Forms+Surfaces Powdercoat Chart
(add \$200 per color/per order)

- Azure Texture
- Lime Texture
- Dark Corten Texture
- Light Corten Texture

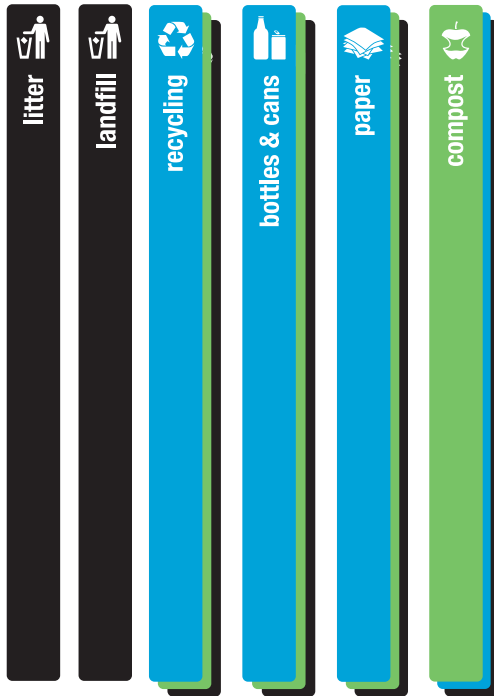
Custom RAL Powdercoat color

(please call for pricing information)

RAL Color: _____

FIG. 3: GRAPHIC EXAMPLES

Graphics for Wood Insets: Examples



3

Graphics Message & Background Color Options

Please select a message and color for Graphic A for single-stream models, or both Graphic A and B for split-stream models. **NOTE:** All letters and symbols are white; specified color is for the graphic's background. Please see **Figure 3** for graphic examples.

Graphic A message

- no graphic
- litter*
- landfill*
- recycling
- bottles & cans
- paper
- compost

Graphic A background color

- black
- blue
- green

*Note: Litter and Landfill graphics are only available with black background color.

Graphic B message

- no graphic
- litter*
- landfill*
- recycling
- bottles & cans
- paper
- compost

Graphic B background color

- black
- blue
- green

*Note: Litter and Landfill graphics are only available with black background color.

Graphics for Aluminum Insets: Examples



4

Rain Cover Yes No
(add \$240 per receptacle)

Latch Options

Standard lift latch Tool-operated security latch

Liner Options

Please select one for each option.

Bag straps Yes No

Drain holes Yes No

Mounting Options

Freestanding with levelers Surface mount

NOTES

Please send completed forms to sales@forms-surfaces.com or contact us at **800.451.0410** with any questions.