

PROJECT NAME: \_\_\_\_\_

DATE: \_\_\_\_\_

JOB LOCATION: \_\_\_\_\_

COMPANY: \_\_\_\_\_

SPECIFIER: \_\_\_\_\_

PLEASE USE ADOBE READER OR ADOBE ACROBAT TO FILL OUT AND SAVE FORM. USING OTHER PROGRAMS COULD RESULT IN UNSAVED DATA.

**MODEL**

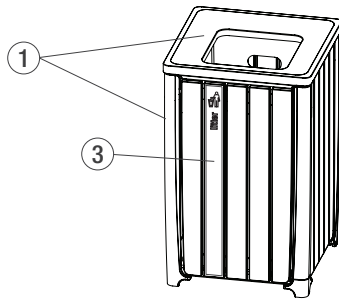
**QUANTITY    MODEL**

_____	SLCOR-136C	Cordia Receptacle, 36-gallon, single-stream, FSC® 100% Cumaru hardwood
_____	SLCOR-136A	Cordia Receptacle, 36-gallon, single-stream, aluminum
_____	SLCOR-218C	Cordia Receptacle, 36-gallon, split-stream, FSC® 100% Cumaru hardwood
_____	SLCOR-218A	Cordia Receptacle, 36-gallon, split-stream, aluminum

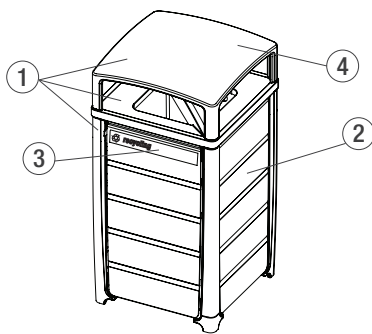
FSC License Code: FSC-C004453

**OPTIONS**

**CORDIA RECEPTACLE,  
SINGLE-STREAM; WOOD INSET**



**CORDIA RECEPTACLE, SPLIT-STREAM WITH RAIN  
COVER; ALUMINUM INSET**



①

**Lid & Body Powdercoat Finish**

Please select **one** option below.

*NOTE: Due to the inherent nature of metal castings, gloss powdercoats are not offered for cast components.*

**Standard Texture from Forms+Surfaces Powdercoat Chart**

- |   |   |
|---|---|
| <input type="checkbox"/> Alabaster Texture            | <input type="checkbox"/> Dark Corten Texture        |
| <input type="checkbox"/> Aluminum Texture             | <input type="checkbox"/> Dark Grey Metallic Texture |
| <input type="checkbox"/> Argento Texture              | <input type="checkbox"/> Deep Ocean Texture         |
| <input type="checkbox"/> Aubergine Texture            | <input type="checkbox"/> Ink Blue Texture           |
| <input type="checkbox"/> Black Texture                | <input type="checkbox"/> Moss Texture               |
| <input type="checkbox"/> Clay Texture                 | <input type="checkbox"/> Silver Texture             |
| <input type="checkbox"/> Cool Grey Texture            | <input type="checkbox"/> Slate Texture              |
| <input type="checkbox"/> Dark Bronze Metallic Texture | <input type="checkbox"/> White Texture              |

**Custom RAL Powdercoat Color**

*(please call for pricing information)*

RAL Color: \_\_\_\_\_

2

**Aluminum Inset Powdercoat Finish (SLCOR-136A & SLCOR-218A)**

Please select **one** option below.

**Standard Texture from Forms+Surfaces Powdercoat Chart**

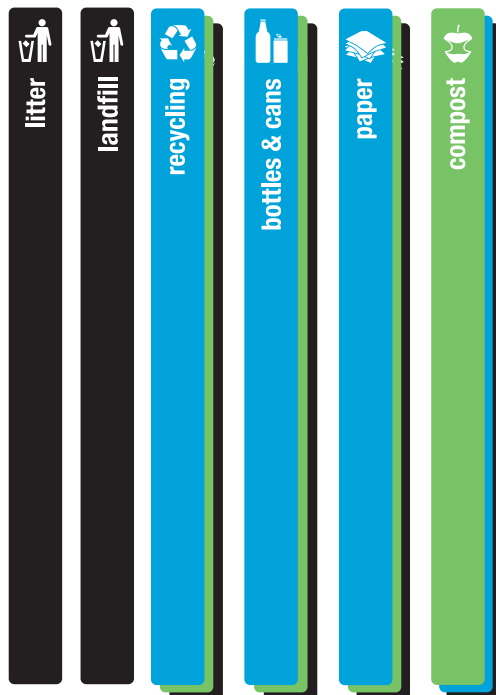
- |   |   |
|---|---|
| <input type="checkbox"/> Alabaster Texture            | <input type="checkbox"/> Dark Corten Texture        |
| <input type="checkbox"/> Aluminum Texture             | <input type="checkbox"/> Dark Grey Metallic Texture |
| <input type="checkbox"/> Argento Texture              | <input type="checkbox"/> Deep Ocean Texture         |
| <input type="checkbox"/> Aubergine Texture            | <input type="checkbox"/> Ink Blue Texture           |
| <input type="checkbox"/> Black Texture                | <input type="checkbox"/> Moss Texture               |
| <input type="checkbox"/> Clay Texture                 | <input type="checkbox"/> Silver Texture             |
| <input type="checkbox"/> Cool Grey Texture            | <input type="checkbox"/> Slate Texture              |
| <input type="checkbox"/> Dark Bronze Metallic Texture | <input type="checkbox"/> White Texture              |

**Custom RAL Powdercoat color** (please call for pricing information)

RAL Color: \_\_\_\_\_

**GRAPHIC EXAMPLES**

Graphic Examples: Wood Insets



3

**Graphic Message & Background Color Options**

Please select a message and color for Graphic A for single-stream models, or both Graphic A and B for split-stream models. **NOTE:** All letters and symbols are white; specified color is for the graphic's background.

**Graphic A message**

- no graphic
- litter\*
- landfill\*
- recycling
- bottles & cans
- paper
- compost

**Graphic A background color**

- black
- blue
- green

\*Note: Litter and Landfill graphics are only available with black background color.

**Graphic B message**

- no graphic
- litter\*
- landfill\*
- recycling
- bottles & cans
- paper
- compost

**Graphic B background color**

- black
- blue
- green

\*Note: Litter and Landfill graphics are only available with black background color.

**GRAPHIC EXAMPLES CONTINUED**

Graphic Examples: Aluminum Insets



④

**Rain Cover** *(subject to upcharge)*

Yes

No

**Latch Options**

Standard lift latch

Tool-operated security latch

**Mounting Options**

Freestanding

Surface Mount\*

Add F+S stainless steel mounting hardware kit\*

Do not include F+S mounting hardware kit

*\*Hardware is required for surface mount litter receptacles. Mounting kits can be purchased from F+S for an additional charge.*

**NOTES**

---

---

---

Please send completed forms to [sales@forms-surfaces.com](mailto:sales@forms-surfaces.com) or contact us at **800.451.0410** with any questions.