

PROJECT NAME: \_\_\_\_\_

DATE: \_\_\_\_\_

JOB LOCATION: \_\_\_\_\_

COMPANY: \_\_\_\_\_

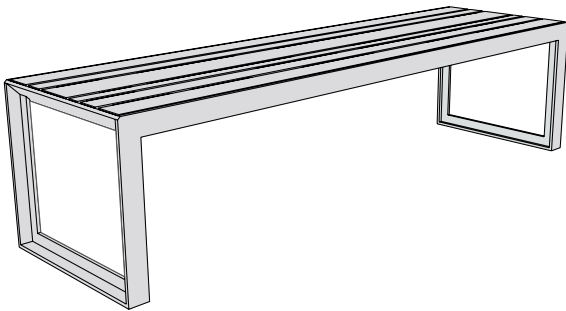
PLEASE USE ADOBE READER OR ADOBE ACROBAT TO FILL OUT AND SAVE FORM. USING OTHER PROGRAMS COULD RESULT IN UNSAVED DATA.

MODEL

QUANTITY	MODEL	
_____	SBDSH-72C	Dash Bench, 6-foot, backless, TENSU UHPC

OPTIONS

FIG 1: DASH BENCH, 6-FOOT



Frame Color Options

Please select **one** finish option.

Standard Texture from Forms+Surfaces Powdercoat Chart

- Aluminum Texture
- Argento Texture
- Black Texture
- Blue Texture
- Cream Texture
- Dark Bronze Metallic Texture
- Dark Grey Metallic Texture
- Evergreen Texture
- Ink Blue Texture
- Silver Texture
- Slate Texture
- White Texture

Premium Texture from Forms+Surfaces Powdercoat Chart

(add \$200 per color/per order)

- Azure Texture
- Lime Texture
- Dark Corten Texture
- Light Corten Texture

Custom RAL Powdercoat Color

(please call for pricing information)

- RAL Color: \_\_\_\_\_

Mounting Options

Please select **one** option below

- Freestanding
- Surface mount

NOTES \_\_\_\_\_

\_\_\_\_\_

\_\_\_\_\_

Please send completed forms to [sales@forms-surfaces.com](mailto:sales@forms-surfaces.com) or contact us at 800.451.0410 with any questions.