

PROJECT NAME: \_\_\_\_\_

DATE: \_\_\_\_\_

JOB LOCATION: \_\_\_\_\_

COMPANY: \_\_\_\_\_

SPECIFIER: \_\_\_\_\_

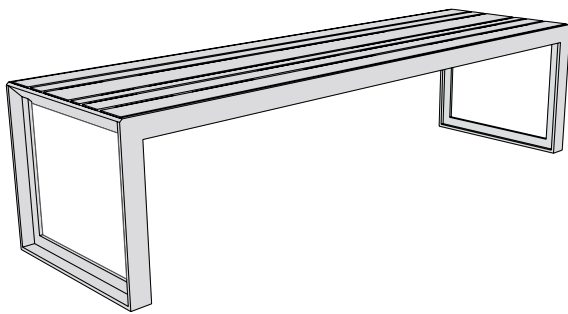
PLEASE USE ADOBE READER OR ADOBE ACROBAT TO FILL OUT AND SAVE FORM. USING OTHER PROGRAMS COULD RESULT IN UNSAVED DATA.

**MODEL**

QUANTITY	MODEL	
_____	SBDSH-72C	Dash Bench, 6-foot, backless, TENS L UHPC

**OPTIONS**

DASH BENCH, 6-FOOT



①

**Frame Powdercoat Color**

Please select **one** option below.

NOTE: Due to the inherent nature of metal castings, gloss powdercoats are not offered on cast components.

**Standard Texture from Forms+Surfaces Powdercoat Chart**

Alabaster Texture	Dark Corten Texture
Aluminum Texture	Dark Grey Metallic Texture
Argento Texture	Deep Ocean Texture
Aubergine Texture	Ink Blue Texture
Black Texture	Moss Texture
Clay Texture	Silver Texture
Cool Grey Texture	Slate Texture
Dark Bronze Metallic Texture	White Texture

**Custom RAL Powdercoat Color**

(please call for pricing information)

RAL Color: \_\_\_\_\_

**Mounting Options**

Freestanding

Surface Mount\*

Add F+S stainless steel mounting hardware kit\*

Do not include F+S mounting kit

\*Hardware is required for surface mount benches. Mounting kits can be purchased from F+S for an additional charge.

**NOTES**

---

---

---

Please send completed forms to [sales@forms-surfaces.com](mailto:sales@forms-surfaces.com) or contact us at **800.451.0410** with any questions.