

PROJECT NAME: \_\_\_\_\_

DATE: \_\_\_\_\_

JOB LOCATION: \_\_\_\_\_

COMPANY: \_\_\_\_\_

SPECIFIER: \_\_\_\_\_

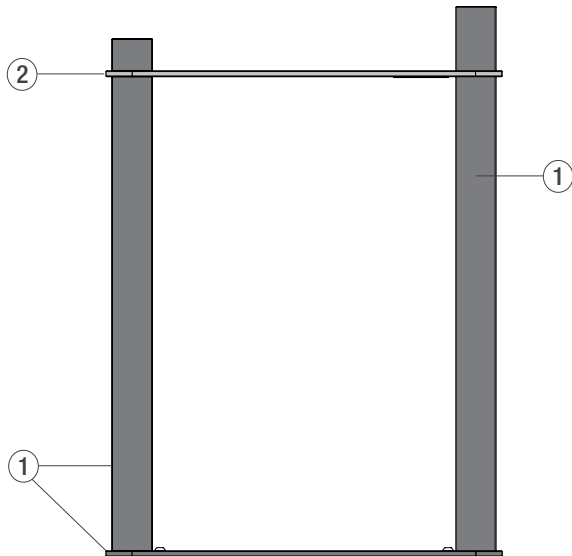
PLEASE USE ADOBE READER OR ADOBE ACROBAT TO FILL OUT AND SAVE FORM. USING OTHER PROGRAMS COULD RESULT IN UNSAVED DATA.

MODEL

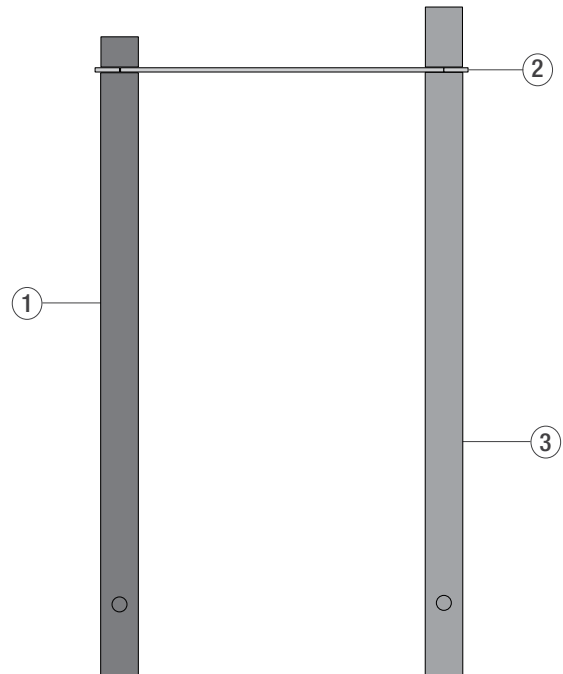
QUANTITY	MODEL	
_____	SKELE-SM	Eleven Bike Rack, surface mount
_____	SKELE-CIP	Eleven Bike Rack, cast-in-place

OPTIONS

ELEVEN BIKE RACK, SURFACE MOUNT



ELEVEN BIKE RACK, CAST-IN-PLACE



①

**Finish Options**

Please select **one** option below for surface mount or cast-in-place models. Reference diagram on Page 1 for finish placement.

**Stainless Steel**

Satin

**Standard Texture from Forms+Surfaces Powdercoat Chart**

- Alabaster Texture
- Aluminum Texture
- Argento Texture
- Aubergine Texture
- Black Texture
- Clay Texture
- Cool Grey Texture
- Dark Bronze Metallic Texture
- Dark Corten Texture
- Dark Grey Metallic Texture
- Deep Ocean Texture
- Ink Blue Texture
- Moss Texture
- Silver Texture
- Slate Texture
- White Texture

**Custom RAL Powdercoat Color** (please call for pricing information)

RAL Color: \_\_\_\_\_

②

**Finish Options**

Please select **one** option below for surface mount or cast-in-place models. Reference diagram on Page 1 for finish placement.

**Stainless Steel**

Satin

**Standard Texture from Forms+Surfaces Powdercoat Chart**

- Alabaster Texture
- Aluminum Texture
- Argento Texture
- Aubergine Texture
- Black Texture
- Clay Texture
- Cool Grey Texture
- Dark Bronze Metallic Texture
- Dark Corten Texture
- Dark Grey Metallic Texture
- Deep Ocean Texture
- Ink Blue Texture
- Moss Texture
- Silver Texture
- Slate Texture
- White Texture

**Custom RAL Powdercoat Color** (please call for pricing information)

RAL Color: \_\_\_\_\_

③

**Finish Options**

Please select **one** option below for **cast-in-place models only**. Reference diagram on Page 1 for finish placement.

**Stainless Steel**

Satin

**Standard Texture from Forms+Surfaces Powdercoat Chart**

- Alabaster Texture
- Aluminum Texture
- Argento Texture
- Aubergine Texture
- Black Texture
- Clay Texture
- Cool Grey Texture
- Dark Bronze Metallic Texture
- Dark Corten Texture
- Dark Grey Metallic Texture
- Deep Ocean Texture
- Ink Blue Texture
- Moss Texture
- Silver Texture
- Slate Texture
- White Texture

**Custom RAL Powdercoat Color** (please call for pricing information)

RAL Color: \_\_\_\_\_

**Surface Mount Hardware Options**

- Add F+S stainless steel mounting hardware kit
- Do not include F+S mounting hardware kit

*\*Hardware is required for surface mount bike racks. Mounting kits can be purchased from F+S for an additional charge.*

**NOTES**

---

---

---

Please send completed forms to [sales@forms-surfaces.com](mailto:sales@forms-surfaces.com) or contact us at **800.451.0410** with any questions.