

PROJECT NAME: _____

DATE: _____

JOB LOCATION: _____

COMPANY: _____

PLEASE USE ADOBE READER OR ADOBE ACROBAT TO FILL OUT AND SAVE FORM. USING OTHER PROGRAMS COULD RESULT IN UNSAVED DATA.

MODEL

QUANTITY	MODEL	
_____	SCFAC-CAL	Factor Chair, formed aluminum seat and back, no arms
_____	SCFAC-CAL-A	Factor Chair, formed aluminum seat and back, with arms
_____	SCFAC-CAC	Factor Chair, cast aluminum back with FSC® 100% Cumaru slat seat, no arms
_____	SCFAC-CAC-A	Factor Chair, cast aluminum back with FSC® 100% Cumaru slat seat, with arms
_____	SCFAC-CAT	Factor Chair, cast aluminum back with FSC® 100% Teak slat seat, no arms
_____	SCFAC-CAT-A	Factor Chair, cast aluminum back with FSC® 100% Teak slat seat, with arms

OPTIONS

FIG 1: FACTOR CHAIR, CAST ALUMINUM BACK WITH HARDWOOD SEAT SLATS, NO ARMS

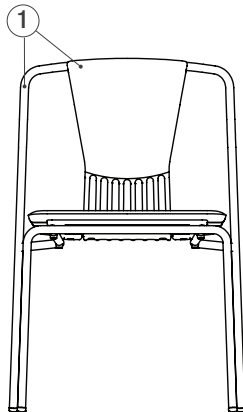
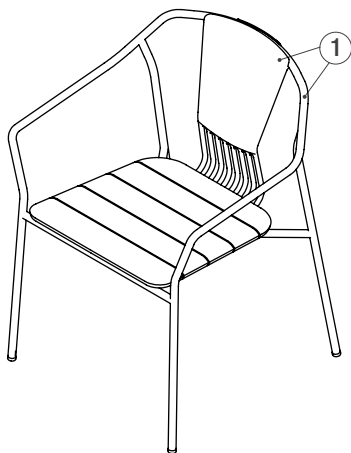


FIG 2: FACTOR CHAIR, CAST ALUMINUM BACK WITH HARDWOOD SEAT SLATS, WITH ARMS



①

Frame Powdercoat Colors (includes cast aluminum back)

Please select **one** powdercoat color.

Note: Due to the inherent nature of metal castings, gloss powdercoats are not offered for cast components.

Standard Texture from Forms+Surfaces Powdercoat Chart

- | | |
|---|---|
| <input type="checkbox"/> Alabaster Texture | <input type="checkbox"/> Dark Corten Texture |
| <input type="checkbox"/> Aluminum Texture | <input type="checkbox"/> Dark Grey Metallic Texture |
| <input type="checkbox"/> Argento Texture | <input type="checkbox"/> Deep Ocean Texture |
| <input type="checkbox"/> Aubergine Texture | <input type="checkbox"/> Ink Blue Texture |
| <input type="checkbox"/> Black Texture | <input type="checkbox"/> Moss Texture |
| <input type="checkbox"/> Clay Texture | <input type="checkbox"/> Silver Texture |
| <input type="checkbox"/> Cool Grey Texture | <input type="checkbox"/> Slate Texture |
| <input type="checkbox"/> Dark Bronze Metallic Texture | <input type="checkbox"/> White Texture |

Custom RAL Powdercoat Color

(please call for pricing information)

RAL Color: _____

FIG 3: FACTOR CHAIR, FORMED ALUMINUM SEAT AND BACK, NO PERFORATION PATTERN, WITH ARMS

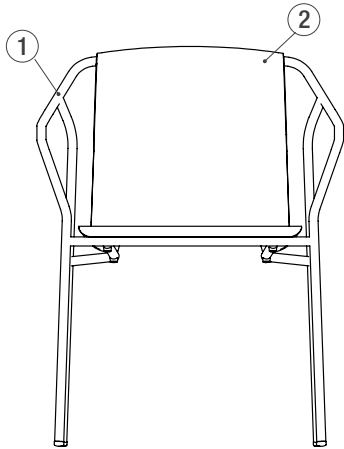
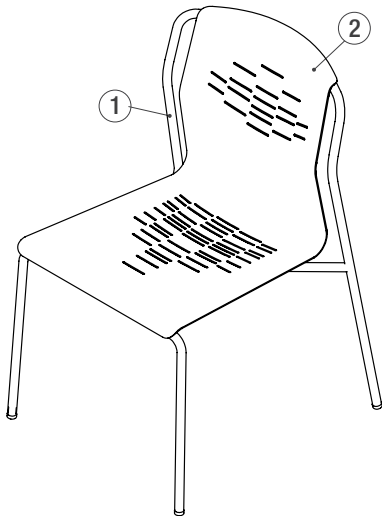


FIG 4: FACTOR CHAIR, FORMED ALUMINUM SEAT AND BACK, VERVE PERFORATION PATTERN, WITHOUT ARMS



2

Powdercoat Colors (formed aluminum seat and back)

Please select **one** powdercoat color.

Note: Due to the inherent nature of metal castings, gloss powdercoats are not offered for cast components.

Standard Texture from Forms+Surfaces Powdercoat Chart

- | | |
|---|---|
| <input type="checkbox"/> Alabaster Texture | <input type="checkbox"/> Dark Corten Texture |
| <input type="checkbox"/> Aluminum Texture | <input type="checkbox"/> Dark Grey Metallic Texture |
| <input type="checkbox"/> Argento Texture | <input type="checkbox"/> Deep Ocean Texture |
| <input type="checkbox"/> Aubergine Texture | <input type="checkbox"/> Ink Blue Texture |
| <input type="checkbox"/> Black Texture | <input type="checkbox"/> Moss Texture |
| <input type="checkbox"/> Clay Texture | <input type="checkbox"/> Silver Texture |
| <input type="checkbox"/> Cool Grey Texture | <input type="checkbox"/> Slate Texture |
| <input type="checkbox"/> Dark Bronze Metallic Texture | <input type="checkbox"/> White Texture |

Custom RAL Powdercoat Color

(please call for pricing information)

RAL Color: _____

Perforation Options (for models with formed aluminum seat and back)

Please select **one** option.

- | | |
|---|--|
| <input type="checkbox"/> No perforation pattern | <input type="checkbox"/> Verve perforation pattern |
|---|--|

NOTES _____

Please send completed forms to sales@forms-surfaces.com or contact us at **800.451.0410** with any questions.