

PROJECT NAME: _____

DATE: _____

JOB LOCATION: _____

COMPANY: _____

COMPANY: _____

PLEASE USE ADOBE READER OR ADOBE ACROBAT TO FILL OUT AND SAVE FORM. USING OTHER PROGRAMS COULD RESULT IN UNSAVED DATA.

MODEL

QUANTITY

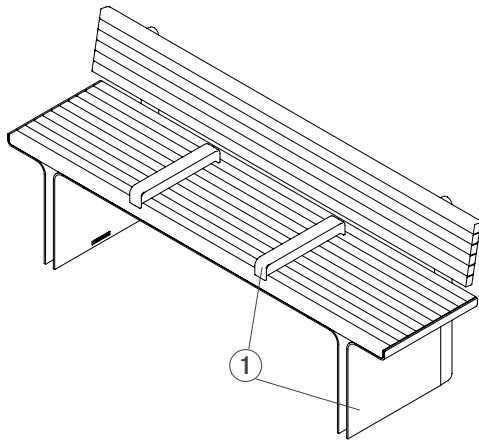
MODEL

_____	SBFLT-72BA	Flight Bench, extruded aluminum slats, 6 foot, backed
_____	SBFLT-72BC	Flight Bench, FSC® 100% Cumaru hardwood slats, 6 foot, backed
_____	SBFLT-72NA	Flight Bench, extruded aluminum slats, 6 foot, backless
_____	SBFLT-72NC	Flight Bench, FSC® 100% Cumaru hardwood slats, 6 foot, backless
_____	SBFLT-72NT	Flight Bench, TENSU UHPC, 6 foot, backless
_____	SBFLT-96BA	Flight Bench, extruded aluminum slats, 8 foot, backed
_____	SBFLT-96BC	Flight Bench, FSC® 100% Cumaru hardwood slats, 8 foot, backed
_____	SBFLT-96NA	Flight Bench, extruded aluminum slats, 8 foot, backless
_____	SBFLT-96NC	Flight Bench, FSC® 100% Cumaru hardwood slats, 8 foot, backless
_____	SBFLT-96NT	Flight Bench, TENSU UHPC, 8 foot, backless

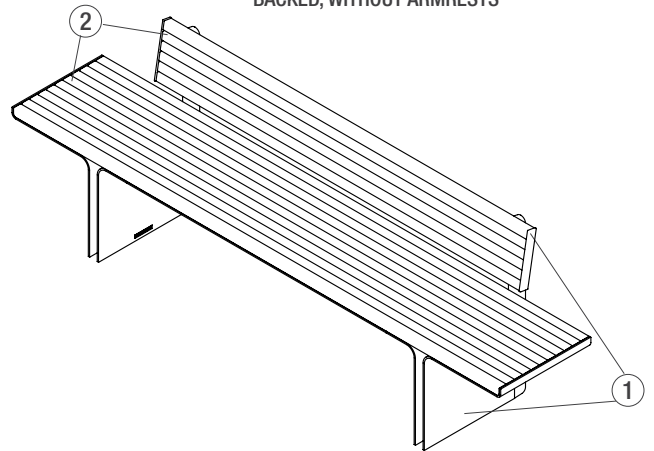
FSC License Code: FSC-C004453

OPTIONS

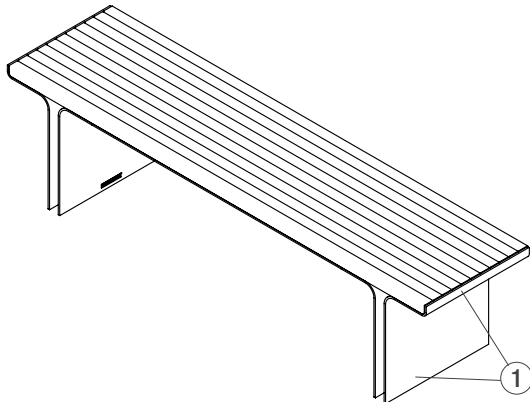
FLIGHT BENCH, FSC® 100% CUMARU HARDWOOD SLATS, 6 FOOT, BACKED, WITH ARMRESTS



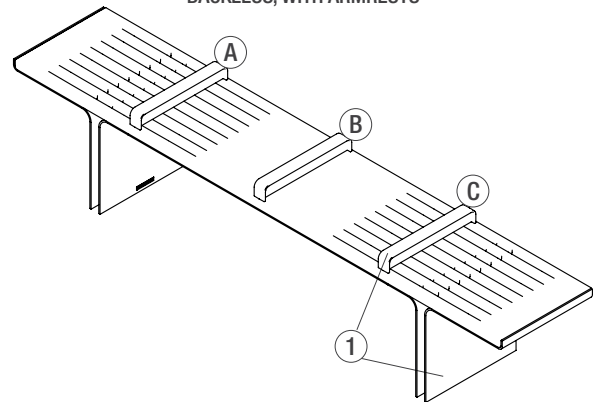
FLIGHT BENCH, EXTRUDED ALUMINUM SLATS, 8 FOOT, BACKED, WITHOUT ARMRESTS



FLIGHT BENCH, FSC® 100% CUMARU HARDWOOD SLATS, 6 FOOT, BACKLESS, WITHOUT ARMRESTS



FLIGHT BENCH, TENSU UHPC, 8 FOOT, BACKLESS, WITH ARMRESTS



T 800.451.0410 | www.forms-surfaces.com

FORMS+SURFACES®

© 2023 Forms+Surfaces® | All dimensions are nominal. Specifications and pricing subject to change without notice. For the most current version of this document, please refer to our website at www.forms-surfaces.com.

OPTIONS

Powdercoat Color Options

Please select **one** option below and write in specified color.

① Frame/Armrest

Standard Texture from F+S Powdercoat Color Chart

Custom RAL Powdercoat Color (subject to upcharge)

② Aluminum Slat

Standard Texture from F+S Powdercoat Color Chart

Custom RAL Powdercoat Color (subject to upcharge)

Armrest Options

Armrests

Yes

No

If "Yes," please specify locations below

Location(s)*:

A & C

B

**See example on Page 1*

Surface Mount Hardware Options

Add F+S stainless steel mounting hardware kit

Do not include F+S mounting hardware kit

**Hardware is required for surface mount benches. Mounting kits can be purchased from F+S for an additional charge.*

NOTES

Please send completed forms to sales@forms-surfaces.com or contact us at **800.451.0410** with any questions.