

PROJECT NAME: _____

DATE: _____

JOB LOCATION: _____

COMPANY: _____

PLEASE USE ADOBE READER OR ADOBE ACROBAT TO FILL OUT AND SAVE FORM. USING OTHER PROGRAMS COULD RESULT IN UNSAVED DATA.

MODEL

QUANTITY	MODEL	
_____	SBFLT-72BA	Flight Bench, extruded aluminum slats, 6 foot, backed
_____	SBFLT-72BC	Flight Bench, FSC® 100% Cumaru hardwood slats, 6 foot, backed
_____	SBFLT-72NA	Flight Bench, extruded aluminum slats, 6 foot, backless
_____	SBFLT-72NC	Flight Bench, FSC® 100% Cumaru hardwood slats, 6 foot, backless
_____	SBFLT-72NT	Flight Bench, TENSL UHPC, 6 foot, backless
_____	SBFLT-96BA	Flight Bench, extruded aluminum slats, 8 foot, backed
_____	SBFLT-96BC	Flight Bench, FSC® 100% Cumaru hardwood slats, 8 foot, backed
_____	SBFLT-96NA	Flight Bench, extruded aluminum slats, 8 foot, backless
_____	SBFLT-96NC	Flight Bench, FSC® 100% Cumaru hardwood slats, 8 foot, backless
_____	SBFLT-96NT	Flight Bench, TENSL UHPC, 8 foot, backless

FSC License Code: FSC-C004453

OPTIONS

FIG 1: FLIGHT BENCH, FSC® 100% CUMARU HARDWOOD SLATS, 6 FOOT, BACKED, WITH ARMRESTS

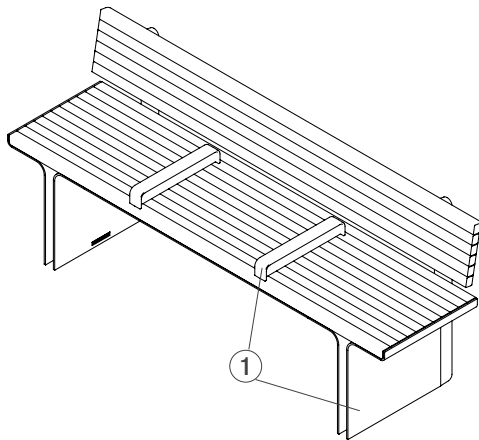


FIG 2: FLIGHT BENCH, EXTRUDED ALUMINUM SLATS, 8 FOOT, BACKED, WITHOUT ARMRESTS

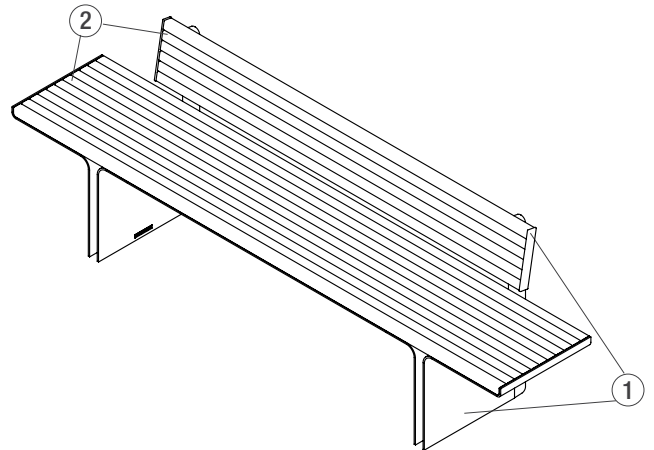


FIG 3: FLIGHT BENCH, FSC® 100% CUMARU HARDWOOD SLATS, 6 FOOT, BACKLESS, WITHOUT ARMRESTS

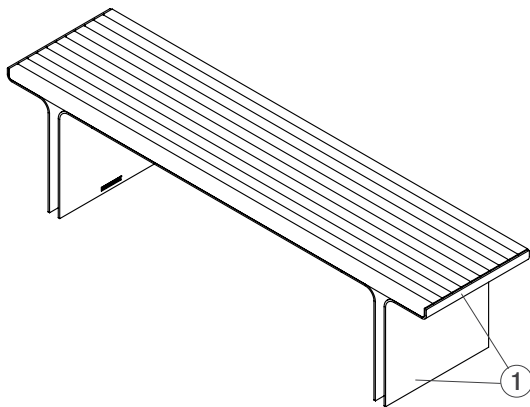
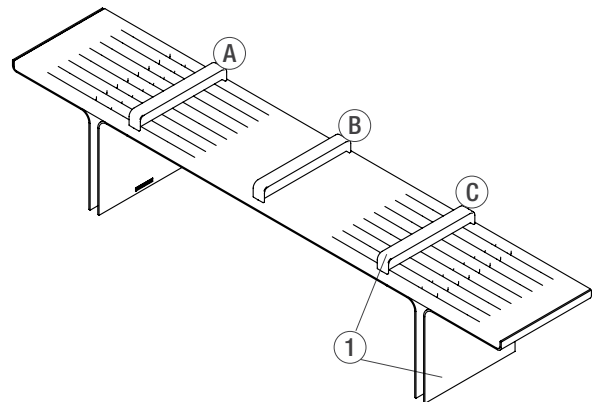


FIG 4: FLIGHT BENCH, TENSL UHPC, 8 FOOT, BACKLESS, WITH ARMRESTS



OPTIONS

①

Frame/Armrest Powdercoat Colors

Please select **one** powdercoat color

Standard Texture from Forms+Surfaces Powdercoat Chart

- | | |
|---|---|
| <input type="checkbox"/> Alabaster Texture | <input type="checkbox"/> Dark Corten Texture |
| <input type="checkbox"/> Aluminum Texture | <input type="checkbox"/> Dark Grey Metallic Texture |
| <input type="checkbox"/> Argento Texture | <input type="checkbox"/> Deep Ocean Texture |
| <input type="checkbox"/> Aubergine Texture | <input type="checkbox"/> Ink Blue Texture |
| <input type="checkbox"/> Black Texture | <input type="checkbox"/> Moss Texture |
| <input type="checkbox"/> Clay Texture | <input type="checkbox"/> Silver Texture |
| <input type="checkbox"/> Cool Grey Texture | <input type="checkbox"/> Slate Texture |
| <input type="checkbox"/> Dark Bronze Metallic Texture | <input type="checkbox"/> White Texture |

Custom RAL Powdercoat Color

(please call for pricing information)

RAL Color: _____

②

Aluminum Slat Powdercoat Colors

Please select **one** powdercoat color

Standard Texture from Forms+Surfaces Powdercoat Chart

- | | |
|---|---|
| <input type="checkbox"/> Alabaster Texture | <input type="checkbox"/> Dark Corten Texture |
| <input type="checkbox"/> Aluminum Texture | <input type="checkbox"/> Dark Grey Metallic Texture |
| <input type="checkbox"/> Argento Texture | <input type="checkbox"/> Deep Ocean Texture |
| <input type="checkbox"/> Aubergine Texture | <input type="checkbox"/> Ink Blue Texture |
| <input type="checkbox"/> Black Texture | <input type="checkbox"/> Moss Texture |
| <input type="checkbox"/> Clay Texture | <input type="checkbox"/> Silver Texture |
| <input type="checkbox"/> Cool Grey Texture | <input type="checkbox"/> Slate Texture |
| <input type="checkbox"/> Dark Bronze Metallic Texture | <input type="checkbox"/> White Texture |

Custom RAL Powdercoat Color

(please call for pricing information)

RAL Color: _____

Armrest Options

Armrests Yes No

If "Yes," please specify locations below

Location(s):

(add \$115 per armrest) A & C B

**See example in figure 4*

NOTES

Please send completed forms to sales@forms-surfaces.com or contact us at **800.451.0410** with any questions.