

PROJECT NAME: \_\_\_\_\_

DATE: \_\_\_\_\_

JOB LOCATION: \_\_\_\_\_

COMPANY: \_\_\_\_\_

SPECIFIER: \_\_\_\_\_

PLEASE USE ADOBE READER OR ADOBE ACROBAT TO FILL OUT AND SAVE FORM. USING OTHER PROGRAMS COULD RESULT IN UNSAVED DATA.

**MODEL**

**QUANTITY**

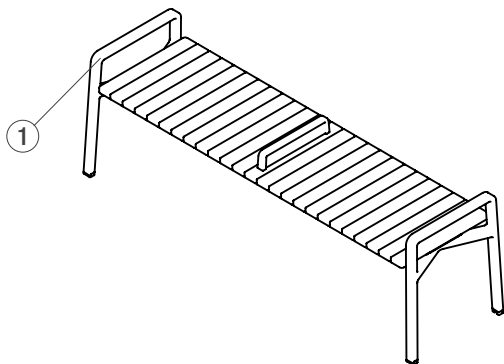
**MODEL**

_____	SBFLO-72BC	Float Bench, FSC® 100% Cumaru hardwood slats, 6 foot, backed
_____	SBFLO-72NC	Float Bench, FSC® 100% Cumaru hardwood slats, 6 foot, backless
_____	SBFLO-72BO	Float Bench, FSC® Mix Credit Thermally Modified Red Oak slats, 6 foot, backed
_____	SBFLO-72NO	Float Bench, FSC® Mix Credit Thermally Modified Red Oak slats, 6 foot, backless

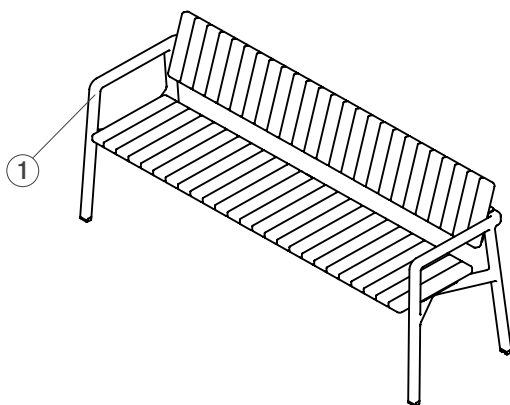
FSC License Code: FSC-C004453

**OPTIONS**

FLOAT BENCH, 6 FOOT, BACKLESS, WITH SEAT DIVIDER



FLOAT BENCH, 6 FOOT, BACKED



①

**Frame Powdercoat Color**

Please select **one** option below.

NOTE: Due to the inherent nature of metal castings, gloss powdercoats are not offered on cast components.

**Standard Texture from Forms+Surfaces Powdercoat Chart**

- |                              |                            |
|------------------------------|----------------------------|
| Alabaster Texture            | Dark Corten Texture        |
| Aluminum Texture             | Dark Grey Metallic Texture |
| Argento Texture              | Deep Ocean Texture         |
| Aubergine Texture            | Ink Blue Texture           |
| Black Texture                | Moss Texture               |
| Clay Texture                 | Silver Texture             |
| Cool Grey Texture            | Slate Texture              |
| Dark Bronze Metallic Texture | White Texture              |

**Custom RAL Powdercoat Color**

(please call for pricing information)

RAL Color: \_\_\_\_\_

Mounting Options	Seat Divider Options
<p>Freestanding</p> <p>Surface Mount*</p> <p>    Add F+S stainless steel mounting hardware kit*</p> <p>    Do not include F+S mounting kit</p> <p><i>*Hardware is required for surface mount benches. Mounting kits can be purchased from F+S for an additional charge.</i></p>	<p>Seat Divider            Yes <i>(subject to upcharge)</i></p> <p>                                 No</p>

**NOTES** \_\_\_\_\_

\_\_\_\_\_

\_\_\_\_\_

Please send completed forms to [sales@forms-surfaces.com](mailto:sales@forms-surfaces.com) or contact us at **800.451.0410** with any questions.