

PROJECT NAME: \_\_\_\_\_

DATE: \_\_\_\_\_

JOB LOCATION: \_\_\_\_\_

COMPANY: \_\_\_\_\_

SPECIFIER: \_\_\_\_\_

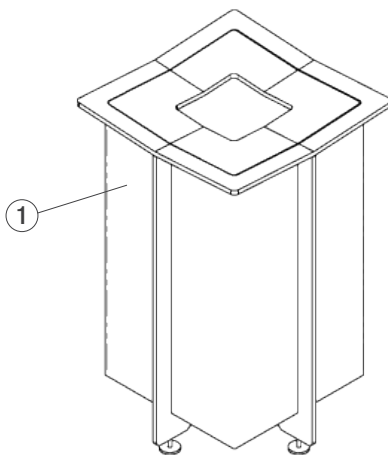
PLEASE USE ADOBE READER OR ADOBE ACROBAT TO FILL OUT AND SAVE FORM. USING OTHER PROGRAMS COULD RESULT IN UNSAVED DATA.

MODEL

QUANTITY	MODEL	
_____	SLKNI-30	Knight Receptacle, 30 gallon

OPTIONS

KNIGHT RECEPTACLE



①

**Body Color Options**

Please select **one** option below.

**Standard Texture/Gloss from Forms+Surfaces Powdercoat Chart**

- |   |   |
|---|---|
| <input type="checkbox"/> Alabaster Texture            | <input type="checkbox"/> Dark Corten Texture        |
| <input type="checkbox"/> Aluminum Texture             | <input type="checkbox"/> Dark Grey Metallic Texture |
| <input type="checkbox"/> Argento Texture              | <input type="checkbox"/> Deep Ocean Texture         |
| <input type="checkbox"/> Aubergine Texture            | <input type="checkbox"/> Ink Blue Texture           |
| <input type="checkbox"/> Black Gloss                  | <input type="checkbox"/> Moss Texture               |
| <input type="checkbox"/> Black Texture                | <input type="checkbox"/> Silver Texture             |
| <input type="checkbox"/> Bright Silver Gloss          | <input type="checkbox"/> Slate Gloss                |
| <input type="checkbox"/> Clay Texture                 | <input type="checkbox"/> Slate Texture              |
| <input type="checkbox"/> Cool Grey Texture            | <input type="checkbox"/> White Texture              |
| <input type="checkbox"/> Dark Bronze Metallic Texture |   |

**Custom RAL Powdercoat Color**

(please call for pricing information)

- RAL Color: \_\_\_\_\_

**Mounting Options**

- Freestanding with levelers
- Surface Mount\*
  - Add F+S stainless steel mounting hardware kit\*
  - Do not include F+S mounting hardware kit

\*Hardware is required for surface mount litter receptacles. Mounting kits can be purchased from F+S for an additional charge.

**NOTES** \_\_\_\_\_  
\_\_\_\_\_  
\_\_\_\_\_

Please send completed forms to [sales@forms-surfaces.com](mailto:sales@forms-surfaces.com) or contact us at **800.451.0410** with any questions.