

PROJECT NAME: \_\_\_\_\_

DATE: \_\_\_\_\_

JOB LOCATION: \_\_\_\_\_

COMPANY: \_\_\_\_\_

PLEASE USE ADOBE READER OR ADOBE ACROBAT TO FILL OUT AND SAVE FORM. USING OTHER PROGRAMS COULD RESULT IN UNSAVED DATA.

**MODEL**

**QUANTITY**

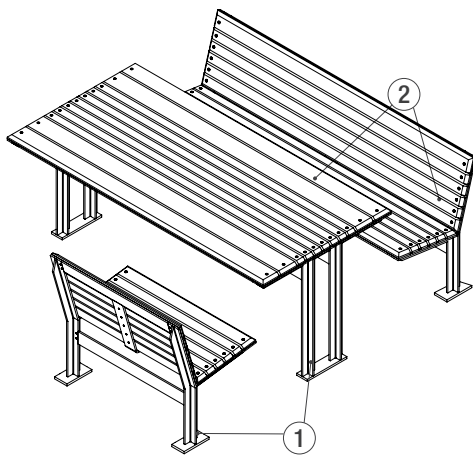
**MODEL**

_____	STKNI-72BW	Knight Table Ensemble, backed benches, FSC 100% Ipé hardwood slats
_____	STKNI-72BW-ADA	Knight Table Ensemble, backed benches with ADA option, FSC 100% Ipé hardwood slats
_____	STKNI-72BA	Knight Table Ensemble, backed benches, extruded aluminum slats
_____	STKNI-72BA-ADA	Knight Table Ensemble, backed benches, with ADA option, extruded aluminum slats
_____	STKNI-72NW	Knight Table Ensemble, backless benches, FSC 100% Ipé hardwood slats
_____	STKNI-72NW-ADA	Knight Table Ensemble, backless benches with ADA option, FSC 100% Ipé hardwood slats
_____	STKNI-72NA	Knight Table Ensemble, backless benches, extruded aluminum slats
_____	STKNI-72NA-ADA	Knight Table Ensemble, backless benches with ADA option, extruded aluminum slats

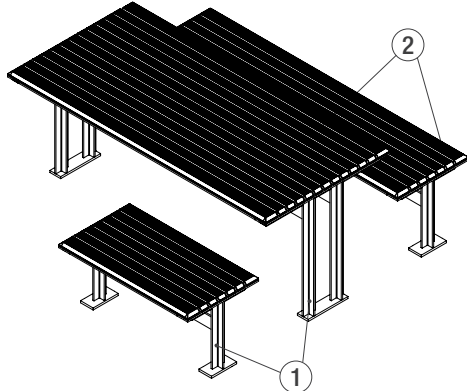
FSC License Code: FSC-C004453

**OPTIONS**

**FIG 1:**  
KNIGHT TABLE ENSEMBLE, BACKED WITH ADA OPTION  
(shown with wood slats)



**FIG 2:**  
KNIGHT TABLE ENSEMBLE, BACKLESS  
(shown with aluminum slats)



①

**Frame Powdercoat Colors**

Please select one powdercoat color.

**Standard Texture from Forms+Surfaces Powdercoat Chart**

- |   |   |
|---|---|
| <input type="checkbox"/> Alabaster Texture            | <input type="checkbox"/> Dark Corten Texture        |
| <input type="checkbox"/> Aluminum Texture             | <input type="checkbox"/> Dark Grey Metallic Texture |
| <input type="checkbox"/> Argento Texture              | <input type="checkbox"/> Deep Ocean Texture         |
| <input type="checkbox"/> Aubergine Texture            | <input type="checkbox"/> Ink Blue Texture           |
| <input type="checkbox"/> Black Texture                | <input type="checkbox"/> Moss Texture               |
| <input type="checkbox"/> Clay Texture                 | <input type="checkbox"/> Silver Texture             |
| <input type="checkbox"/> Cool Grey Texture            | <input type="checkbox"/> Slate Texture              |
| <input type="checkbox"/> Dark Bronze Metallic Texture | <input type="checkbox"/> White Texture              |

**Custom RAL Powdercoat Color**

(please call for pricing information)

RAL Color: \_\_\_\_\_

2

**Slat Color Options** (for models with aluminum slats)

Please select a powdercoat option.

**Standard Texture from Forms+Surfaces Powdercoat Chart**

- |   |   |
|---|---|
| <input type="checkbox"/> Alabaster Texture            | <input type="checkbox"/> Dark Corten Texture        |
| <input type="checkbox"/> Aluminum Texture             | <input type="checkbox"/> Dark Grey Metallic Texture |
| <input type="checkbox"/> Argento Texture              | <input type="checkbox"/> Deep Ocean Texture         |
| <input type="checkbox"/> Aubergine Texture            | <input type="checkbox"/> Ink Blue Texture           |
| <input type="checkbox"/> Black Texture                | <input type="checkbox"/> Moss Texture               |
| <input type="checkbox"/> Clay Texture                 | <input type="checkbox"/> Silver Texture             |
| <input type="checkbox"/> Cool Grey Texture            | <input type="checkbox"/> Slate Texture              |
| <input type="checkbox"/> Dark Bronze Metallic Texture | <input type="checkbox"/> White Texture              |

**Custom RAL Powdercoat Color**

(please call for pricing information)

- RAL Color: \_\_\_\_\_

**Umbrella Hole and Sleeve**

For use with the Soleris Sunshade

- Umbrella Hole and Sleeve**     Yes     No  
*(add \$40 per table ensemble)*

**NOTES**

\_\_\_\_\_  
\_\_\_\_\_  
\_\_\_\_\_

Please send completed forms to [sales@forms-surfaces.com](mailto:sales@forms-surfaces.com) or contact us at **800.451.0410** with any questions.