

PROJECT NAME: _____

DATE: _____

JOB LOCATION: _____

COMPANY: _____

SPECIFIER: _____

PLEASE USE ADOBE READER OR ADOBE ACROBAT TO FILL OUT AND SAVE FORM. USING OTHER PROGRAMS COULD RESULT IN UNSAVED DATA.

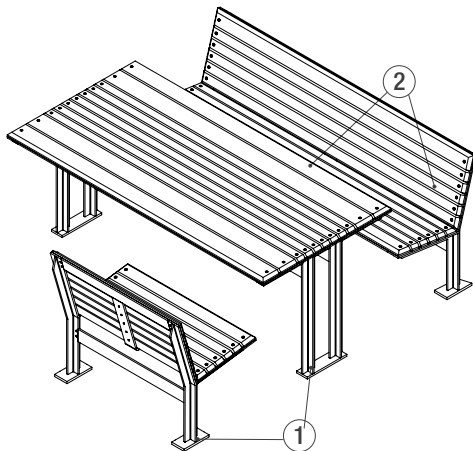
MODEL

QUANTITY	MODEL	
_____	STKNI-72BW	Knight Table Ensemble, backed benches, FSC 100% Cumaru hardwood slats
_____	STKNI-72BW-ADA	Knight Table Ensemble, backed benches with ADA option, FSC 100% Cumaru hardwood slats
_____	STKNI-72BA	Knight Table Ensemble, backed benches, extruded aluminum slats
_____	STKNI-72BA-ADA	Knight Table Ensemble, backed benches, with ADA option, extruded aluminum slats
_____	STKNI-72NW	Knight Table Ensemble, backless benches, FSC 100% Cumaru hardwood slats
_____	STKNI-72NW-ADA	Knight Table Ensemble, backless benches with ADA option, FSC 100% Cumaru hardwood slats
_____	STKNI-72NA	Knight Table Ensemble, backless benches, extruded aluminum slats
_____	STKNI-72NA-ADA	Knight Table Ensemble, backless benches with ADA option, extruded aluminum slats

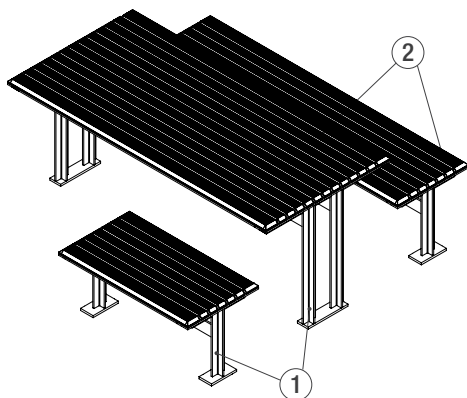
FSC License Code: FSC-C004453

OPTIONS

KNIGHT TABLE ENSEMBLE, BACKED WITH ADA OPTION
(shown with wood slats)



KNIGHT TABLE ENSEMBLE, BACKLESS
(shown with aluminum slats)



①

Frame Powdercoat Colors

Please select one powdercoat color.

Standard Texture from Forms+Surfaces Powdercoat Chart

- | | |
|---|---|
| <input type="checkbox"/> Alabaster Texture | <input type="checkbox"/> Dark Corten Texture |
| <input type="checkbox"/> Aluminum Texture | <input type="checkbox"/> Dark Grey Metallic Texture |
| <input type="checkbox"/> Argento Texture | <input type="checkbox"/> Deep Ocean Texture |
| <input type="checkbox"/> Aubergine Texture | <input type="checkbox"/> Ink Blue Texture |
| <input type="checkbox"/> Black Texture | <input type="checkbox"/> Moss Texture |
| <input type="checkbox"/> Clay Texture | <input type="checkbox"/> Silver Texture |
| <input type="checkbox"/> Cool Grey Texture | <input type="checkbox"/> Slate Texture |
| <input type="checkbox"/> Dark Bronze Metallic Texture | <input type="checkbox"/> White Texture |

Custom RAL Powdercoat Color

(please call for pricing information)

RAL Color: _____

2

Slat Color Options (for models with aluminum slats)

Please select a powdercoat option.

Standard Texture from Forms+Surfaces Powdercoat Chart

- | | |
|---|---|
| <input type="checkbox"/> Alabaster Texture | <input type="checkbox"/> Dark Corten Texture |
| <input type="checkbox"/> Aluminum Texture | <input type="checkbox"/> Dark Grey Metallic Texture |
| <input type="checkbox"/> Argento Texture | <input type="checkbox"/> Deep Ocean Texture |
| <input type="checkbox"/> Aubergine Texture | <input type="checkbox"/> Ink Blue Texture |
| <input type="checkbox"/> Black Texture | <input type="checkbox"/> Moss Texture |
| <input type="checkbox"/> Clay Texture | <input type="checkbox"/> Silver Texture |
| <input type="checkbox"/> Cool Grey Texture | <input type="checkbox"/> Slate Texture |
| <input type="checkbox"/> Dark Bronze Metallic Texture | <input type="checkbox"/> White Texture |

Custom RAL Powdercoat Color

(please call for pricing information)

- RAL Color: _____

Umbrella Hole and Sleeve

For use with the Soleris Sunshade

- Umbrella Hole and Sleeve** Yes No
(subject to upcharge)

Surface Mount Hardware Options

- Add F+S stainless steel mounting hardware kit*
- Do not include F+S mounting hardware kit

*Hardware is required for surface mount tables & chairs. Mounting kits can be purchased from F+S for an additional charge.

NOTES _____

Please send completed forms to sales@forms-surfaces.com or contact us at **800.451.0410** with any questions.