

PROJECT NAME: \_\_\_\_\_

DATE: \_\_\_\_\_

JOB LOCATION: \_\_\_\_\_

COMPANY: \_\_\_\_\_

SPECIFIER: \_\_\_\_\_

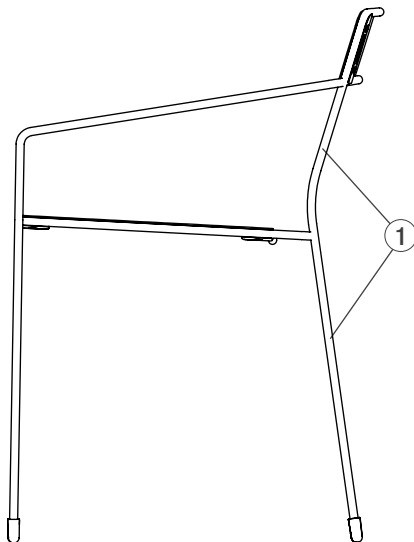
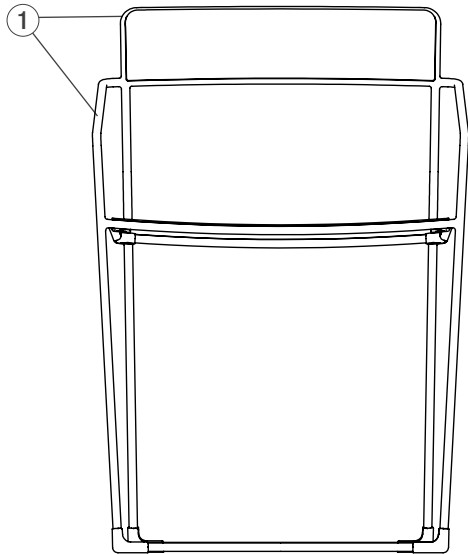
PLEASE USE ADOBE READER OR ADOBE ACROBAT TO FILL OUT AND SAVE FORM. USING OTHER PROGRAMS COULD RESULT IN UNSAVED DATA.

MODEL

QUANTITY	MODEL	
_____	SCLIN-C	Linia Café Chair

OPTIONS

LINIA CAFÉ CHAIR



①

**Frame Finish Options**

Please select one option below.

**Standard Stainless Steel Finish**

Electropolished

**Standard Texture from Forms+Surfaces Powdercoat Chart**

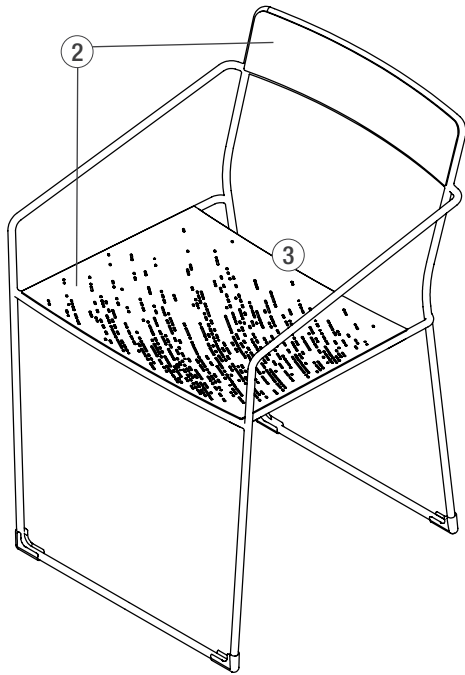
- |   |   |
|---|---|
| <input type="checkbox"/> Alabaster Texture            | <input type="checkbox"/> Dark Corten Texture        |
| <input type="checkbox"/> Aluminum Texture             | <input type="checkbox"/> Dark Grey Metallic Texture |
| <input type="checkbox"/> Argento Texture              | <input type="checkbox"/> Deep Ocean Texture         |
| <input type="checkbox"/> Aubergine Texture            | <input type="checkbox"/> Ink Blue Texture           |
| <input type="checkbox"/> Black Texture                | <input type="checkbox"/> Moss Texture               |
| <input type="checkbox"/> Clay Texture                 | <input type="checkbox"/> Silver Texture             |
| <input type="checkbox"/> Cool Grey Texture            | <input type="checkbox"/> Slate Texture              |
| <input type="checkbox"/> Dark Bronze Metallic Texture | <input type="checkbox"/> White Texture              |

**Custom RAL Powdercoat Color**

(please call for pricing information)

RAL Color: \_\_\_\_\_

**LINIA CAFÉ CHAIR, SWEEP PERFORATION**



②

**Seat/Back Powdercoat Options**

*Please select **one** option below.*

**Standard Texture from Forms+Surfaces Powdercoat Chart**

- |   |   |
|---|---|
| <input type="checkbox"/> Alabaster Texture            | <input type="checkbox"/> Dark Corten Texture        |
| <input type="checkbox"/> Aluminum Texture             | <input type="checkbox"/> Dark Grey Metallic Texture |
| <input type="checkbox"/> Argento Texture              | <input type="checkbox"/> Deep Ocean Texture         |
| <input type="checkbox"/> Aubergine Texture            | <input type="checkbox"/> Ink Blue Texture           |
| <input type="checkbox"/> Black Texture                | <input type="checkbox"/> Moss Texture               |
| <input type="checkbox"/> Clay Texture                 | <input type="checkbox"/> Silver Texture             |
| <input type="checkbox"/> Cool Grey Texture            | <input type="checkbox"/> Slate Texture              |
| <input type="checkbox"/> Dark Bronze Metallic Texture | <input type="checkbox"/> White Texture              |

**Custom RAL Powdercoat Color**

*(please call for pricing information)*

- RAL Color: \_\_\_\_\_

③

**Seat Perforation Options**

*Please select **one** option below.*

- Sweep Perforation       No Perforation

**NOTES**

---



---



---

Please send completed forms to [sales@forms-surfaces.com](mailto:sales@forms-surfaces.com) or contact us at 800.451.0410 with any questions.