

PROJECT NAME: _____

DATE: _____

JOB LOCATION: _____

COMPANY: _____

SPECIFIER: _____

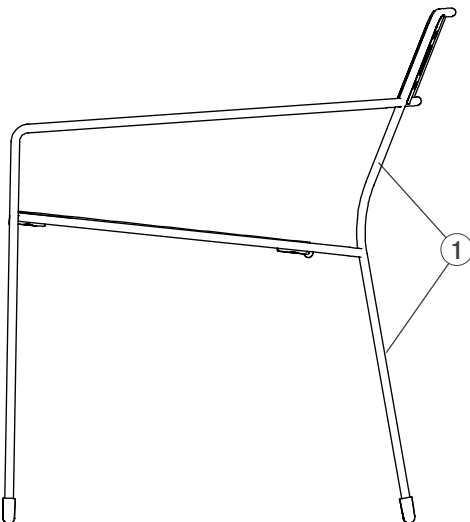
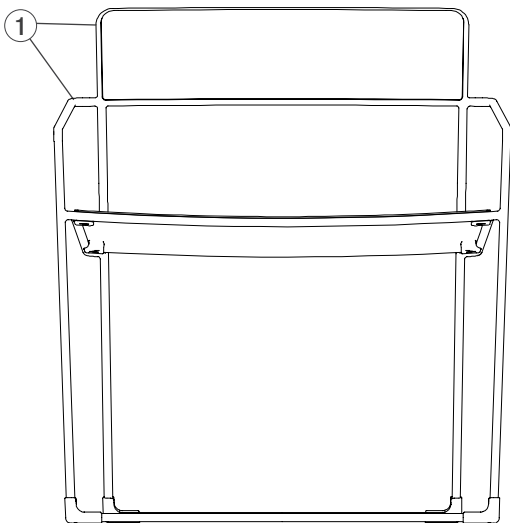
PLEASE USE ADOBE READER OR ADOBE ACROBAT TO FILL OUT AND SAVE FORM. USING OTHER PROGRAMS COULD RESULT IN UNSAVED DATA.

MODEL

| QUANTITY | MODEL | |
|----------|---------|--------------------|
| _____ | SCLIN-L | Linia Lounge Chair |

OPTIONS

LINIA LOUNGE CHAIR



①

Frame Finish Options

*Please select **one** option below.*

Standard Stainless Steel Finish

Electropolished

Standard Texture from Forms+Surfaces Powdercoat Chart

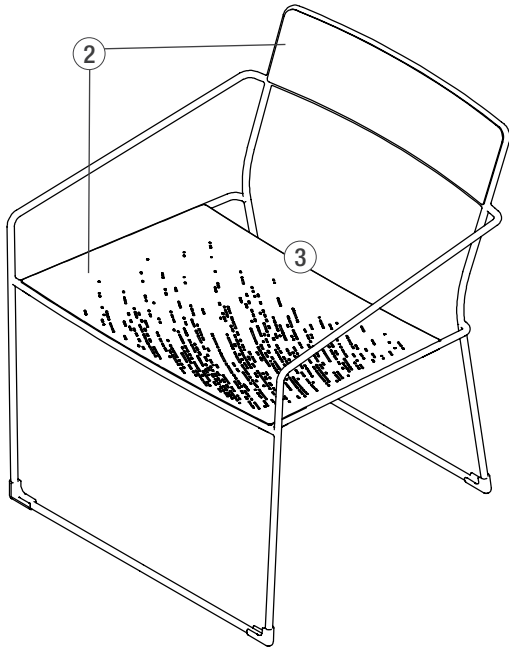
- | | |
|---|---|
| <input type="checkbox"/> Alabaster Texture | <input type="checkbox"/> Dark Corten Texture |
| <input type="checkbox"/> Aluminum Texture | <input type="checkbox"/> Dark Grey Metallic Texture |
| <input type="checkbox"/> Argento Texture | <input type="checkbox"/> Deep Ocean Texture |
| <input type="checkbox"/> Aubergine Texture | <input type="checkbox"/> Ink Blue Texture |
| <input type="checkbox"/> Black Texture | <input type="checkbox"/> Moss Texture |
| <input type="checkbox"/> Clay Texture | <input type="checkbox"/> Silver Texture |
| <input type="checkbox"/> Cool Grey Texture | <input type="checkbox"/> Slate Texture |
| <input type="checkbox"/> Dark Bronze Metallic Texture | <input type="checkbox"/> White Texture |

Custom RAL Powdercoat Color

(please call for pricing information)

RAL Color: _____

LINIA LOUNGE CHAIR, SWEEP PERFORATION



②

Seat/Back Powdercoat Options

*Please select **one** option below.*

Standard Texture from Forms+Surfaces Powdercoat Chart

- | | |
|---|---|
| <input type="checkbox"/> Alabaster Texture | <input type="checkbox"/> Dark Corten Texture |
| <input type="checkbox"/> Aluminum Texture | <input type="checkbox"/> Dark Grey Metallic Texture |
| <input type="checkbox"/> Argento Texture | <input type="checkbox"/> Deep Ocean Texture |
| <input type="checkbox"/> Aubergine Texture | <input type="checkbox"/> Ink Blue Texture |
| <input type="checkbox"/> Black Texture | <input type="checkbox"/> Moss Texture |
| <input type="checkbox"/> Clay Texture | <input type="checkbox"/> Silver Texture |
| <input type="checkbox"/> Cool Grey Texture | <input type="checkbox"/> Slate Texture |
| <input type="checkbox"/> Dark Bronze Metallic Texture | <input type="checkbox"/> White Texture |

Custom RAL Powdercoat Color

(please call for pricing information)

- RAL Color: _____

③

Seat Perforation Options

*Please select **one** option below.*

- Sweep Perforation No Perforation

NOTES

Please send completed forms to sales@forms-surfaces.com or contact us at 800.451.0410 with any questions.