

PROJECT NAME: \_\_\_\_\_

DATE: \_\_\_\_\_

JOB LOCATION: \_\_\_\_\_

COMPANY: \_\_\_\_\_

PLEASE USE ADOBE READER OR ADOBE ACROBAT TO FILL OUT AND SAVE FORM. USING OTHER PROGRAMS COULD RESULT IN UNSAVED DATA.

**MODEL**

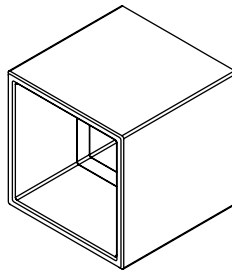
QUANTITY	MODEL	
_____	SBQUA-17S	Quadra Seating System, 17", TENSL UHPC casting with front-to-back aperture, no inset
_____	SBQUA-17A	Quadra Seating System, 17", TENSL UHPC casting with aluminum inset
_____	SBQUA-17T	Quadra Seating System, 17", TENSL UHPC casting with TENSL UHPC inset
_____	SBQUA-17W	Quadra Seating System, 17", TENSL UHPC casting with FSC® Recycled reclaimed Teak hardwood inset
_____	SBQUA-17P	Quadra Seating System, 17", TENSL UHPC casting with planter liner
_____	SBQUA-48S	Quadra Seating System, 48", TENSL UHPC casting with front-to-back aperture, no inset
_____	SBQUA-48A	Quadra Seating System, 48", TENSL UHPC casting with aluminum inset
_____	SBQUA-48T	Quadra Seating System, 48", TENSL UHPC casting with TENSL UHPC inset
_____	SBQUA-48W	Quadra Seating System, 48", TENSL UHPC casting with FSC® Recycled reclaimed Teak hardwood inset
_____	SBQUA-48P	Quadra Seating System, 48", TENSL UHPC casting with planter liner
_____	SBQUA-72S	Quadra Seating System, 72", TENSL UHPC casting with front-to-back aperture, no inset
_____	SBQUA-72A	Quadra Seating System, 72", TENSL UHPC casting with aluminum inset
_____	SBQUA-72T	Quadra Seating System, 72", TENSL UHPC casting with TENSL UHPC inset
_____	SBQUA-72W	Quadra Seating System, 72", TENSL UHPC casting with FSC® Recycled reclaimed Teak hardwood inset
_____	SBQUA-72AP	Quadra Seating System, 72", TENSL UHPC casting with aluminum inset and planter liner
_____	SBQUA-72TP	Quadra Seating System, 72", TENSL UHPC casting with TENSL UHPC inset and planter liner
_____	SBQUA-72WP	Quadra Seating System, 72", TENSL UHPC casting with FSC® Recycled reclaimed Teak hardwood inset and planter liner

FSC License Code: FSC-C004453

**OPTIONS**

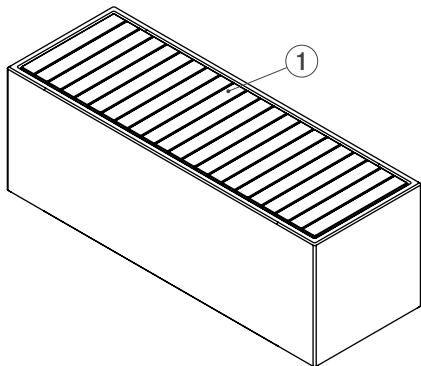
**FIG 1: QUADRA SEATING SYSTEM**

17" front-to-back aperture configuration shown



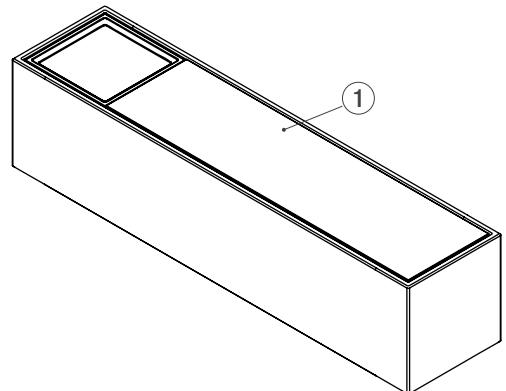
**FIG 2: QUADRA SEATING SYSTEM**

48" FSC® Recycled reclaimed Teak hardwood inset configuration shown



**FIG 3: QUADRA SEATING SYSTEM**

72" aluminum inset with planter liner configuration shown



1

**Inset Options**

Please select one option below that corresponds to the model selected above.

**Aluminum Inset**

Please select one powdercoat color below. Due to the inherent nature of metal castings, gloss powdercoats are not offered for cast components.

**Standard Texture from Forms+Surfaces Powdercoat Chart**

- Alabaster Texture
- Aluminum Texture
- Argento Texture
- Aubergine Texture
- Black Texture
- Clay Texture
- Cool Grey Texture
- Dark Bronze Metallic Texture
- Dark Corten Texture
- Dark Grey Metallic Texture
- Deep Ocean Texture
- Ink Blue Texture
- Moss Texture
- Silver Texture
- Slate Texture
- White Texture

**Custom RAL Powdercoat Color**

(please call for pricing information)

RAL Color: \_\_\_\_\_

**TENSL UHPC inset**

If selecting a model with planter liner inset, please select one option below.

- No pattern
- Bias pattern

**FSC® Recycled reclaimed Teak hardwood inset**

**Planter liner inset**

If selecting a model with planter liner inset, please select one liner option below.

Drain holes

- Yes
- No

**Installation**

Please select one mounting option below

- Freestanding
- Surface Mount

**NOTES**

---



---



---

Please send completed forms to [sales@forms-surfaces.com](mailto:sales@forms-surfaces.com) or contact us at 800.451.0410 with any questions.