

PROJECT NAME: _____

DATE: _____

JOB LOCATION: _____

COMPANY: _____

SPECIFIER: _____

PLEASE USE ADOBE READER OR ADOBE ACROBAT TO FILL OUT AND SAVE FORM. USING OTHER PROGRAMS COULD RESULT IN UNSAVED DATA.

MODEL

QUANTITY

MODEL

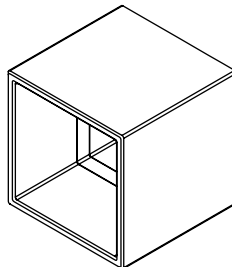
_____	SBQUA-17S	Quadra Seating System, 17", TENSU UHPC casting with front-to-back aperture, no inset
_____	SBQUA-17A	Quadra Seating System, 17", TENSU UHPC casting with aluminum inset
_____	SBQUA-17T	Quadra Seating System, 17", TENSU UHPC casting with TENSU UHPC inset
_____	SBQUA-17W	Quadra Seating System, 17", TENSU UHPC casting with FSC® Recycled 100% Teak hardwood inset
_____	SBQUA-17P	Quadra Seating System, 17", TENSU UHPC casting with planter liner
_____	SBQUA-48S	Quadra Seating System, 48", TENSU UHPC casting with front-to-back aperture, no inset
_____	SBQUA-48A	Quadra Seating System, 48", TENSU UHPC casting with aluminum inset
_____	SBQUA-48T	Quadra Seating System, 48", TENSU UHPC casting with TENSU UHPC inset
_____	SBQUA-48W	Quadra Seating System, 48", TENSU UHPC casting with FSC® Recycled 100% Teak hardwood inset
_____	SBQUA-48P	Quadra Seating System, 48", TENSU UHPC casting with planter liner
_____	SBQUA-72S	Quadra Seating System, 72", TENSU UHPC casting with front-to-back aperture, no inset
_____	SBQUA-72A	Quadra Seating System, 72", TENSU UHPC casting with aluminum inset
_____	SBQUA-72T	Quadra Seating System, 72", TENSU UHPC casting with TENSU UHPC inset
_____	SBQUA-72W	Quadra Seating System, 72", TENSU UHPC casting with FSC® Recycled 100% Teak hardwood inset
_____	SBQUA-72AP	Quadra Seating System, 72", TENSU UHPC casting with aluminum inset and planter liner
_____	SBQUA-72TP	Quadra Seating System, 72", TENSU UHPC casting with TENSU UHPC inset and planter liner
_____	SBQUA-72WP	Quadra Seating System, 72", TENSU UHPC casting with FSC® Recycled 100% Teak hardwood inset and planter liner

FSC License Code: FSC-C004453

OPTIONS

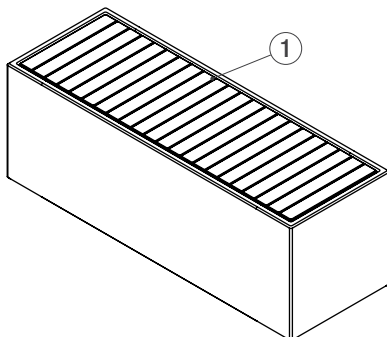
QUADRA SEATING

17" front-to-back aperture configuration



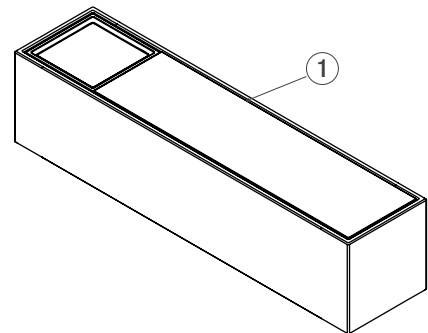
QUADRA SEATING

48" FSC® Recycled reclaimed Teak hardwood inset configuration



QUADRA SEATING

72" aluminum inset with planter liner configuration



T 800.451.0410 | www.forms-surfaces.com

FORMS+SURFACES®

© 2023 Forms+Surfaces® | All dimensions are nominal. Specifications and pricing subject to change without notice. For the most current version of this document, please refer to our website at www.forms-surfaces.com.

① **Inset Options**

Please select one option below that corresponds to the model selected on Page 1.

Aluminum Inset

If selecting a model with an Aluminum inset, please select one option below and write in specified color.

Standard Texture from F+S Powdercoat Color Chart

Custom RAL Powdercoat Color (subject to upcharge)

TENSL UHPC inset

If selecting a model with a TENS L liner inset, please select one design option below.

No pattern Bias pattern

FSC® Recycled 100% Teak hardwood inset

Planter liner inset

If selecting a model with a planter liner inset, please select one liner option below.

Drain holes

Yes No

Mounting Options

Freestanding

Surface Mount*

Add F+S stainless steel mounting hardware kit*

Do not include F+S mounting kit

**Hardware is required for surface mount benches. Mounting kits can be purchased from F+S for an additional charge.*

NOTES

Please send completed forms to sales@forms-surfaces.com or contact us at **800.451.0410** with any questions.