

PROJECT NAME: _____

DATE: _____

JOB LOCATION: _____

COMPANY: _____

PLEASE USE ADOBE READER OR ADOBE ADOBE ACROBAT TO FILL OUT AND SAVE FORM. USING OTHER PROGRAMS COULD RESULT IN UNSAVED DATA.

MODEL

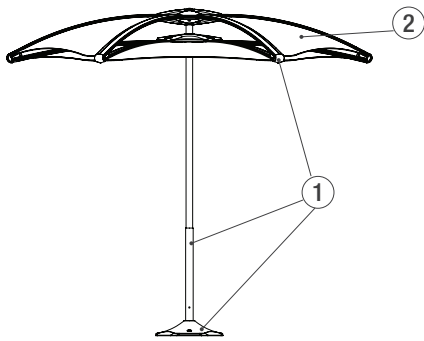
QUANTITY

MODEL

_____	SUSOL-APS	Soleris Sunshade, aluminum panels, standalone
_____	SUSOL-APT	Soleris Sunshade, aluminum panels, surface mount for use with Forms+Surfaces table ensembles

OPTIONS

FIG 1: SOLERIS SUNSHADE, STANDALONE



Application

- Standalone (SUSOL- APS)
- Apex Table Ensemble (SUSOL - APT)
- Knight Table Ensemble (SUSOL- APT)
- Tangent Table Ensemble, 4-seat (SUSOL-APT)
- Tangent Table Ensemble, 6-seat (SUSOL-APT)
- Trio Table Ensemble (SUSOL- APT)
- Other: _____

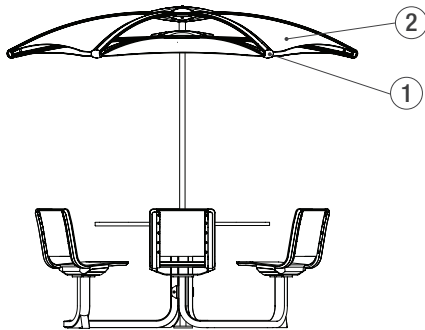
①

Frame and Mounting Assembly

Please select **one** powdercoat color.

NOTE: Due to the inherent nature of metal castings, gloss powdercoats are not offered for cast components.

FIG 2: SOLERIS SUNSHADE, SURFACE MOUNT WITH TABLE



Standard Texture from Forms+Surfaces Powdercoat Chart

- | | |
|---|---|
| <input type="checkbox"/> Aluminum Texture | <input type="checkbox"/> Dark Grey Metallic Texture |
| <input type="checkbox"/> Argento Texture | <input type="checkbox"/> Evergreen Texture |
| <input type="checkbox"/> Black Texture | <input type="checkbox"/> Ink Blue Texture |
| <input type="checkbox"/> Blue Texture | <input type="checkbox"/> Silver Texture |
| <input type="checkbox"/> Cream Texture | <input type="checkbox"/> Slate Texture |
| <input type="checkbox"/> Dark Bronze Metallic Texture | <input type="checkbox"/> White Texture |

Premium Texture from Forms+Surfaces Powdercoat Chart

(add \$200 per color/per order)

- | | |
|--|---|
| <input type="checkbox"/> Azure Texture | <input type="checkbox"/> Dark Corten Texture |
| <input type="checkbox"/> Lime Texture | <input type="checkbox"/> Light Corten Texture |

Custom RAL Powdercoat Color

(please call for pricing information)

- RAL Color: _____

2

Aluminum Panel Powdercoat Color

Please select **one** option below.

Standard Texture/Gloss from Forms+Surfaces Powdercoat Chart

- | | |
|---|---|
| <input type="checkbox"/> Aluminum Texture | <input type="checkbox"/> Dark Grey Metallic Texture |
| <input type="checkbox"/> Argento Texture | <input type="checkbox"/> Evergreen Texture |
| <input type="checkbox"/> Black Gloss | <input type="checkbox"/> Ink Blue Texture |
| <input type="checkbox"/> Black Texture | <input type="checkbox"/> Silver Texture |
| <input type="checkbox"/> Blue Texture | <input type="checkbox"/> Slate Gloss |
| <input type="checkbox"/> Bright Silver Gloss | <input type="checkbox"/> Slate Texture |
| <input type="checkbox"/> Cream Texture | <input type="checkbox"/> White Texture |
| <input type="checkbox"/> Dark Bronze Metallic Texture | |

Premium Texture from Forms+Surfaces Powdercoat Chart

(add \$200 per color/per order)

- | | |
|--|---|
| <input type="checkbox"/> Azure Texture | <input type="checkbox"/> Dark Corten Texture |
| <input type="checkbox"/> Lime Texture | <input type="checkbox"/> Light Corten Texture |

Custom RAL Powdercoat Color

(please call for pricing information)

- RAL Color: _____

Aluminum Panel Perforation Pattern

Please select **one** option below.

- | | |
|-------------------------------------|---------------------------------|
| <input type="checkbox"/> No Pattern | <input type="checkbox"/> Slat |
| <input type="checkbox"/> Cloud | <input type="checkbox"/> Stitch |
| <input type="checkbox"/> Fade | |

Optional Table Top with Standalone Soleris Sunshade

Please specify the quantity of each selection. Please see Product Data Sheet for pricing.

- | | |
|------------------------------------|------------------------------|
| ___ 24" diameter, table height | ___ 24" diameter, bar height |
| ___ 30" diameter, table height | ___ 30" diameter, bar height |
| ___ 36" diameter, table height | |
| ___ 42" diameter, table height | |
| ___ 36" x 36" square, table height | |

Table Top Finish Options

*For optional table tops only. Please select **one** option below.*

Stainless Steel Finishes

- Sandstone
- Diamond
- Satin

Standard Texture/Gloss from Forms+Surfaces Powdercoat Chart

- | | |
|---|---|
| <input type="checkbox"/> Aluminum Texture | <input type="checkbox"/> Dark Grey Metallic Texture |
| <input type="checkbox"/> Argento Texture | <input type="checkbox"/> Evergreen Texture |
| <input type="checkbox"/> Black Gloss | <input type="checkbox"/> Ink Blue Texture |
| <input type="checkbox"/> Black Texture | <input type="checkbox"/> Silver Texture |
| <input type="checkbox"/> Blue Texture | <input type="checkbox"/> Slate Gloss |
| <input type="checkbox"/> Bright Silver Gloss | <input type="checkbox"/> Slate Texture |
| <input type="checkbox"/> Cream Texture | <input type="checkbox"/> White Texture |
| <input type="checkbox"/> Dark Bronze Metallic Texture | |

Premium Texture from Forms+Surfaces Powdercoat Chart

(add \$200 per color/per order)

- | | |
|--|---|
| <input type="checkbox"/> Azure Texture | <input type="checkbox"/> Dark Corten Texture |
| <input type="checkbox"/> Lime Texture | <input type="checkbox"/> Light Corten Texture |

Custom RAL Powdercoat Color

(please call for pricing information)

- RAL Color: _____

Table Top Concentric Perforations

*For optional table tops only. Please select **one** option below.*

- Concentric perforations Yes No
(add \$20 per table)

NOTES _____

Please send completed forms to sales@forms-surfaces.com or contact us at **800.451.0410** with any questions.