

PROJECT NAME: _____

DATE: _____

JOB LOCATION: _____

COMPANY: _____

SPECIFIER: _____

PLEASE USE ADOBE READER OR ADOBE ACROBAT TO FILL OUT AND SAVE FORM. USING OTHER PROGRAMS COULD RESULT IN UNSAVED DATA.

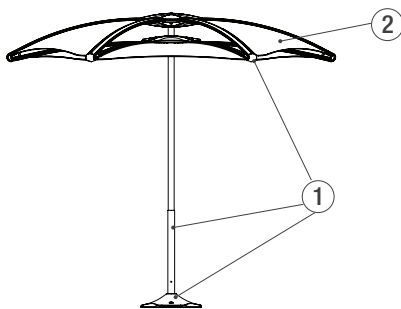
MODEL

QUANTITY

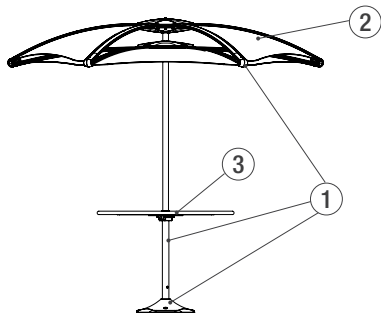
MODEL

_____	SUSOL-APS	Soleris Sunshade, aluminum panels, standalone or for use with optional table top
_____	SUSOL-APT	Soleris Sunshade, aluminum panels, surface mount for use with Forms+Surfaces table ensembles

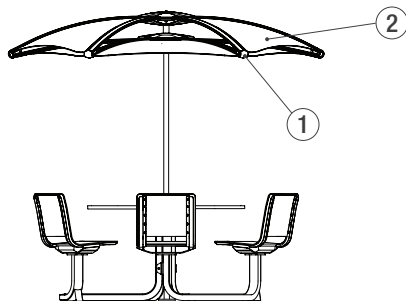
OPTIONS



Standalone Sunshade



Standalone Sunshade with Optional Table Top



Sunshade with Table Ensemble

CONFIGURATIONS

Please select **one** option below.

Standalone (SUSOL- APS)

- 94.4" Sunshade

Standalone with Table Top Options (SUSOL- APS)

Please select **one** option below.

- 24" diameter, café table height
- 36" diameter, café table height
- 42" diameter, café table height
- 36" x 36" square, café table height
- 24" diameter, bar table height
- 30" diameter, bar table height

F+S Table Ensemble Options (SUSOL- APT)

Please select **one** option below.

- Apex Table Ensemble
- Knight Table Ensemble
- Tangent Table Ensemble, 4-seat
- Tangent Table Ensemble, 6-seat
- Trio Table Ensemble
- Vector Table Ensemble

Other

- Please specify: _____

1

Frame and Mounting Assembly Powdercoat Color

Please select **one** option below.

NOTE: Due to the inherent nature of metal castings, gloss powdercoats are not offered for cast components.

Standard Texture from Forms+Surfaces Powdercoat Chart

- Alabaster Texture
- Aluminum Texture
- Argento Texture
- Aubergine Texture
- Black Texture
- Clay Texture
- Cool Grey Texture
- Dark Bronze Metallic Texture
- Dark Corten Texture
- Dark Grey Metallic Texture
- Deep Ocean Texture
- Ink Blue Texture
- Moss Texture
- Silver Texture
- Slate Texture
- White Texture

Custom RAL Powdercoat Color (please call for pricing information)

RAL Color: _____

2

Shade Panel Powdercoat Color

Please select **one** option below.

Standard Texture/Gloss from Forms+Surfaces Powdercoat Chart

- Alabaster Texture
- Aluminum Texture
- Argento Texture
- Aubergine Texture
- Black Gloss
- Black Texture
- Bright Silver Gloss
- Clay Texture
- Cool Grey Texture
- Dark Bronze Metallic Texture
- Dark Corten Texture
- Dark Grey Metallic Texture
- Deep Ocean Texture
- Ink Blue Texture
- Moss Texture
- Silver Texture
- Slate Gloss
- Slate Texture
- White Texture

Custom RAL Powdercoat Color (please call for pricing information)

RAL Color: _____

Optional Shade Panel Perforation Pattern

Please select **one** option below.

- No Perforation
- Slat Perforation

3

Table Top Finish Options

For optional table tops only. Please select **one** option below.

Standard Texture/Gloss from Forms+Surfaces Powdercoat Chart

- Alabaster Texture
- Aluminum Texture
- Argento Texture
- Aubergine Texture
- Black Texture
- Clay Texture
- Cool Grey Texture
- Dark Bronze Metallic Texture
- Dark Corten Texture
- Dark Grey Metallic Texture
- Deep Ocean Texture
- Ink Blue Texture
- Moss Texture
- Silver Texture
- Slate Texture
- White Texture

Custom RAL Powdercoat Color (please call for pricing information)

RAL Color: _____

Stainless Steel Finishes

- Diamond
- Sandstone
- Satin

Table Top Perforation Options

For optional table tops only. Please select **one** option below.

Concentric perforations (subject to upcharge)

- Yes
- No

Surface Mount Hardware Options

- Add F+S stainless steel mounting hardware kit*
- Do not include F+S mounting hardware kit

*Hardware is required for surface mount tables & chairs. Mounting kits can be purchased from F+S for an additional charge.

NOTES

Please send completed forms to sales@forms-surfaces.com or contact us at **800.451.0410** with any questions.