

PROJECT NAME: _____

DATE: _____

JOB LOCATION: _____

COMPANY: _____

PLEASE USE ADOBE READER OR ADOBE ACROBAT TO FILL OUT AND SAVE FORM. USING OTHER PROGRAMS COULD RESULT IN UNSAVED DATA.

MODEL

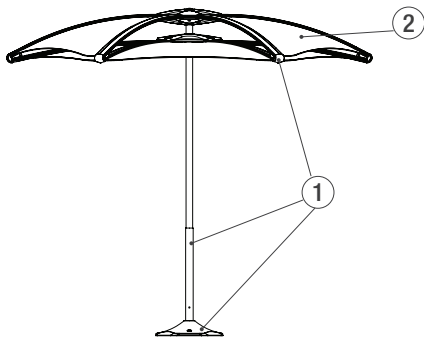
QUANTITY

MODEL

_____	SUSOL-APS	Soleris Sunshade, aluminum panels, standalone
_____	SUSOL-APT	Soleris Sunshade, aluminum panels, surface mount for use with Forms+Surfaces table ensembles

OPTIONS

FIG 1: SOLERIS SUNSHADE, STANDALONE



Application

- Standalone (SUSOL- APS)
- Apex Table Ensemble (SUSOL - APT)
- Knight Table Ensemble (SUSOL- APT)
- Tangent Table Ensemble, 4-seat (SUSOL-APT)
- Tangent Table Ensemble, 6-seat (SUSOL-APT)
- Trio Table Ensemble (SUSOL- APT)
- Other: _____

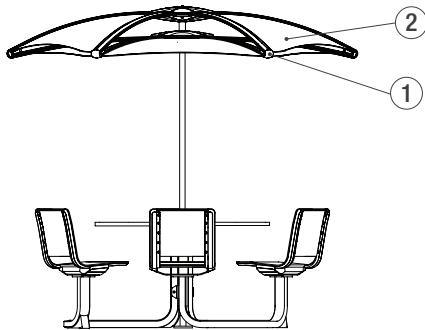
①

Frame and Mounting Assembly

Please select **one** powdercoat color.

NOTE: Due to the inherent nature of metal castings, gloss powdercoats are not offered for cast components.

FIG 2: SOLERIS SUNSHADE, SURFACE MOUNT WITH TABLE



Standard Texture from Forms+Surfaces Powdercoat Chart

- | | |
|---|---|
| <input type="checkbox"/> Alabaster Texture | <input type="checkbox"/> Dark Corten Texture |
| <input type="checkbox"/> Aluminum Texture | <input type="checkbox"/> Dark Grey Metallic Texture |
| <input type="checkbox"/> Argento Texture | <input type="checkbox"/> Deep Ocean Texture |
| <input type="checkbox"/> Aubergine Texture | <input type="checkbox"/> Ink Blue Texture |
| <input type="checkbox"/> Black Texture | <input type="checkbox"/> Moss Texture |
| <input type="checkbox"/> Clay Texture | <input type="checkbox"/> Silver Texture |
| <input type="checkbox"/> Cool Grey Texture | <input type="checkbox"/> Slate Texture |
| <input type="checkbox"/> Dark Bronze Metallic Texture | <input type="checkbox"/> White Texture |

Custom RAL Powdercoat Color

(please call for pricing information)

- RAL Color: _____

2

Aluminum Panel Powdercoat Color

Please select **one** option below.

Standard Texture/Gloss from Forms+Surfaces Powdercoat Chart

- Alabaster Texture
- Aluminum Texture
- Argento Texture
- Aubergine Texture
- Black Gloss
- Black Texture
- Bright Silver Gloss
- Clay Texture
- Cool Grey Texture
- Dark Bronze Metallic Texture
- Dark Corten Texture
- Dark Grey Metallic Texture
- Deep Ocean Texture
- Ink Blue Texture
- Moss Texture
- Silver Texture
- Slate Gloss
- Slate Texture
- White Texture

Custom RAL Powdercoat Color

(please call for pricing information)

- RAL Color: _____

Aluminum Panel Perforation Pattern

Please select **one** option below.

- No Pattern
- Cloud
- Fade
- Slat
- Stitch

Optional Table Top with Standalone Soleris Sunshade

Please specify the quantity of each selection. Please see Product Data Sheet for pricing.

- ___ 24" diameter, table height
- ___ 30" diameter, table height
- ___ 36" diameter, table height
- ___ 42" diameter, table height
- ___ 36" x 36" square, table height
- ___ 24" diameter, bar height
- ___ 30" diameter, bar height

Table Top Finish Options

*For optional table tops only. Please select **one** option below.*

Stainless Steel Finishes

- Sandstone
- Diamond
- Satin

Standard Texture/Gloss from Forms+Surfaces Powdercoat Chart

- | | |
|---|---|
| <input type="checkbox"/> Alabaster Texture | <input type="checkbox"/> Dark Corten Texture |
| <input type="checkbox"/> Aluminum Texture | <input type="checkbox"/> Dark Grey Metallic Texture |
| <input type="checkbox"/> Argento Texture | <input type="checkbox"/> Deep Ocean Texture |
| <input type="checkbox"/> Aubergine Texture | <input type="checkbox"/> Ink Blue Texture |
| <input type="checkbox"/> Black Texture | <input type="checkbox"/> Moss Texture |
| <input type="checkbox"/> Clay Texture | <input type="checkbox"/> Silver Texture |
| <input type="checkbox"/> Cool Grey Texture | <input type="checkbox"/> Slate Texture |
| <input type="checkbox"/> Dark Bronze Metallic Texture | <input type="checkbox"/> White Texture |

Custom RAL Powdercoat Color

(please call for pricing information)

- RAL Color: _____

Table Top Concentric Perforations

*For optional table tops only. Please select **one** option below.*

- Concentric perforations Yes No
(add \$20 per table)

NOTES

Please send completed forms to sales@forms-surfaces.com or contact us at **800.451.0410** with any questions.