

PROJECT NAME: _____

DATE: _____

JOB LOCATION: _____

COMPANY: _____

PLEASE USE ADOBE READER OR ADOBE ACROBAT TO FILL OUT AND SAVE FORM. USING OTHER PROGRAMS COULD RESULT IN UNSAVED DATA.

MODEL

QUANTITY	MODEL	
_____	SETAN-4BA, -4BW, -4BS	Tangent Table Ensemble, 4 backed seats
_____	SETAN-6BA, -6BW, -6BS	Tangent Table Ensemble, 6 backed seats
_____	SETAN-4LA, -4LW, -4LS	Tangent Table Ensemble, 4 backless seats
_____	SETAN-6LA, -6LW, -6LS	Tangent Table Ensemble, 6 backless seats

FSC License Code: FSC-C004453

OPTIONS

FIG 1: TANGENT TABLE ENSEMBLE, 4 BACKED SEATS, STAINLESS STEEL SEAT PANS

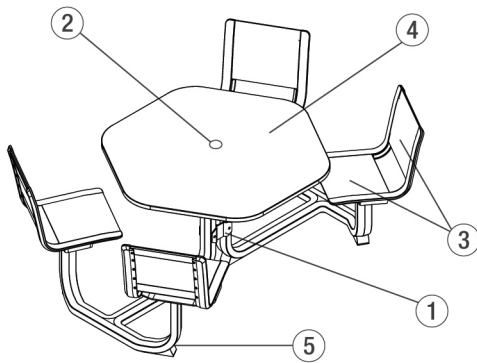
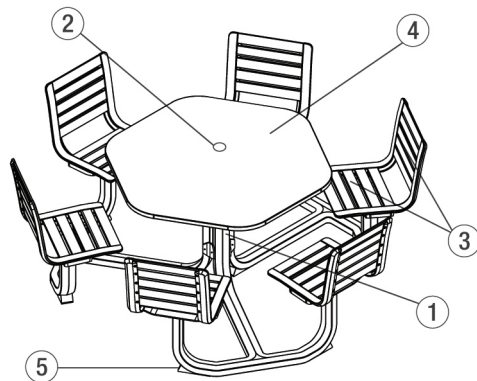


FIG 2: TANGENT TABLE ENSEMBLE, 6 BACKED SEATS, ALUMINUM OR HARDWOOD SLATS



①

Frame Powdercoat Colors

Please select one powdercoat color.

Standard Texture from Forms+Surfaces Powdercoat Chart

- | | |
|---|---|
| <input type="checkbox"/> Aluminum Texture | <input type="checkbox"/> Dark Grey Metallic Texture |
| <input type="checkbox"/> Argento Texture | <input type="checkbox"/> Evergreen Texture |
| <input type="checkbox"/> Black Texture | <input type="checkbox"/> Ink Blue Texture |
| <input type="checkbox"/> Blue Texture | <input type="checkbox"/> Silver Texture |
| <input type="checkbox"/> Cream Texture | <input type="checkbox"/> Slate Texture |
| <input type="checkbox"/> Dark Bronze Metallic Texture | <input type="checkbox"/> White Texture |

Premium Texture from Forms+Surfaces Powdercoat Chart

(add \$200 per color/per order)

- | | |
|--|---|
| <input type="checkbox"/> Azure Texture | <input type="checkbox"/> Dark Corten Texture |
| <input type="checkbox"/> Lime Texture | <input type="checkbox"/> Light Corten Texture |

Custom RAL Powdercoat Color

(please call for pricing information)

- RAL Color: _____

②

Umbrella Hole and Sleeve

*Required for use with the Soleris Sunshade

- Umbrella Hole and Sleeve** Yes No
(add \$30 per table ensemble)

3

Seat Material and Finish Options

Please select **one** material and applicable options.

Aluminum Slats

Please select **one** powdercoat color below.

Standard Texture from
Forms+Surfaces Powdercoat Chart

- Aluminum Texture
- Argento Texture
- Black Texture
- Blue Texture
- Cream Texture
- Dark Bronze Metallic Texture

- Dark Grey Metallic Texture
- Evergreen Texture
- Ink Blue Texture
- Silver Texture
- Slate Texture
- White Texture

Premium Texture from
Forms+Surfaces Powdercoat Chart

(add \$200 per color/per order)

- Azure Texture
- Lime Texture
- Light Corten Texture
- Dark Corten Texture

Custom RAL Powdercoat Color
(please call for pricing information)

RAL Color: _____

Ipé Hardwood Slats

Stainless Steel Seat Pans

Please select a pattern **and** finish or powdercoat from the options below.

Perforation Pattern Options

- No Pattern
- Fade*
- Micro*
- Stitch*

*(Add \$50 per seat)

Stainless Steel Finish

(add \$20 per seat)

- Sandstone
- Diamond
- Satin

Standard Texture from
Forms+Surfaces Powdercoat Chart

- Aluminum Texture
- Argento Texture
- Black Texture
- Blue Texture
- Cream Texture
- Dark Bronze Metallic Texture

- Dark Grey Metallic Texture
- Evergreen Texture
- Ink Blue Texture
- Silver Texture
- Slate Texture
- White Texture

Premium Texture from
Forms+Surfaces Powdercoat Chart

(add \$200 per color/per order)

- Azure Texture
- Lime Texture
- Light Corten Texture
- Dark Corten Texture

Custom RAL Powdercoat Color
(please call for pricing information)

RAL Color: _____

4

Table Top Finish Options

Please select **one** option below.

Stainless Steel Finish

- Sandstone
- Diamond
- Satin

Standard Texture from Forms+Surfaces Powdercoat Chart

(add \$100 per table top)

- | | |
|---|---|
| <input type="checkbox"/> Aluminum Texture | <input type="checkbox"/> Dark Grey Metallic Texture |
| <input type="checkbox"/> Argento Texture | <input type="checkbox"/> Evergreen Texture |
| <input type="checkbox"/> Black Texture | <input type="checkbox"/> Ink Blue Texture |
| <input type="checkbox"/> Blue Texture | <input type="checkbox"/> Silver Texture |
| <input type="checkbox"/> Cream Texture | <input type="checkbox"/> Slate Texture |
| <input type="checkbox"/> Dark Bronze Metallic Texture | <input type="checkbox"/> White Texture |

Premium Texture from Forms+Surfaces Powdercoat Chart

(add \$200 per color/per order)

- | | |
|--|---|
| <input type="checkbox"/> Azure Texture | <input type="checkbox"/> Dark Corten Texture |
| <input type="checkbox"/> Lime Texture | <input type="checkbox"/> Light Corten Texture |

Custom RAL Powdercoat Color

(please call for pricing information)

- RAL Color: _____

5

Mounting Options

Please select **one** option below.

- Surface mount
- Freestanding

NOTES

Please send completed forms to sales@forms-surfaces.com or contact us at **800.451.0410** with any questions.