

PROJECT NAME: _____

DATE: _____

JOB LOCATION: _____

COMPANY: _____

SPECIFIER: _____

PLEASE USE ADOBE READER OR ADOBE ACROBAT TO FILL OUT AND SAVE FORM. USING OTHER PROGRAMS COULD RESULT IN UNSAVED DATA.

MODEL

QUANTITY

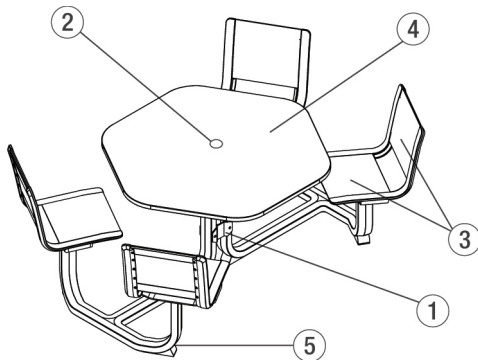
MODEL

_____	SETAN-4BA, -4BW, -4BS	Tangent Table Ensemble, 4 backed seats
_____	SETAN-6BA, -6BW, -6BS	Tangent Table Ensemble, 6 backed seats
_____	SETAN-4LA, -4LW, -4LS	Tangent Table Ensemble, 4 backless seats
_____	SETAN-6LA, -6LW, -6LS	Tangent Table Ensemble, 6 backless seats

FSC License Code: FSC-C004453

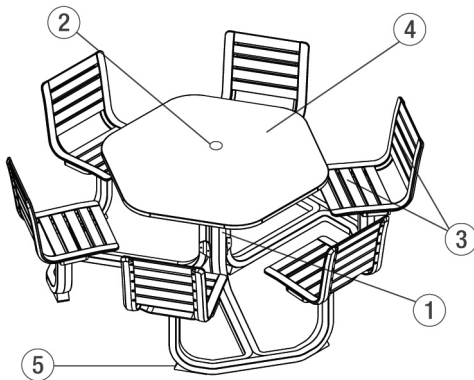
OPTIONS

**TANGENT TABLE ENSEMBLE, 4 BACKED SEATS,
STAINLESS STEEL PANS***



*Fade perforation not shown for clarity

**TANGENT TABLE ENSEMBLE, 6 BACKED SEATS,
ALUMINUM OR HARDWOOD SLATS**



①

Frame Powdercoat Colors

Please select one powdercoat color.

Standard Texture from Forms+Surfaces Powdercoat Chart

- | | |
|---|---|
| <input type="checkbox"/> Alabaster Texture | <input type="checkbox"/> Dark Corten Texture |
| <input type="checkbox"/> Aluminum Texture | <input type="checkbox"/> Dark Grey Metallic Texture |
| <input type="checkbox"/> Argento Texture | <input type="checkbox"/> Deep Ocean Texture |
| <input type="checkbox"/> Aubergine Texture | <input type="checkbox"/> Ink Blue Texture |
| <input type="checkbox"/> Black Texture | <input type="checkbox"/> Moss Texture |
| <input type="checkbox"/> Clay Texture | <input type="checkbox"/> Silver Texture |
| <input type="checkbox"/> Cool Grey Texture | <input type="checkbox"/> Slate Texture |
| <input type="checkbox"/> Dark Bronze Metallic Texture | <input type="checkbox"/> White Texture |

Custom RAL Powdercoat Color

(please call for pricing information)

RAL Color: _____

②

Umbrella Hole and Sleeve*

*Required for use with the Soleris Sunshade (subject to upcharge)

Yes No

3

Seat & Back Material and Finish Options

Please select **one** material and applicable options.

Aluminum Slats

Please select **one** powdercoat color below.

Standard Texture from Forms+Surfaces Powdercoat Chart

- Alabaster Texture
- Aluminum Texture
- Argento Texture
- Aubergine Texture
- Black Texture
- Clay Texture
- Cool Grey Texture
- Dark Bronze Metallic Texture
- Dark Corten Texture
- Dark Grey Metallic Texture
- Deep Ocean Texture
- Ink Blue Texture
- Moss Texture
- Silver Texture
- Slate Texture
- White Texture

Custom RAL Powdercoat Color
(please call for pricing information)

RAL Color: _____

FSC® 100% Cumaru Hardwood Slats

Stainless Steel Pans

Seats and backs are standard with Fade perforation. Select finish from the options below.

Stainless Steel Finish
(subject to upcharge)

- Sandstone

Standard Texture from Forms+Surfaces Powdercoat Chart

- Alabaster Texture
- Aluminum Texture
- Argento Texture
- Aubergine Texture
- Black Texture
- Clay Texture
- Cool Grey Texture
- Dark Bronze Metallic Texture
- Dark Corten Texture
- Dark Grey Metallic Texture
- Deep Ocean Texture
- Ink Blue Texture
- Moss Texture
- Silver Texture
- Slate Texture
- White Texture

Custom RAL Powdercoat Color
(please call for pricing information)

RAL Color: _____

4

Table Top Finish Options

Please select **one** option below.

Stainless Steel Finish

Sandstone

Standard Texture from Forms+Surfaces Powdercoat Chart

- Alabaster Texture
- Aluminum Texture
- Argento Texture
- Aubergine Texture
- Black Texture
- Clay Texture
- Cool Grey Texture
- Dark Bronze Metallic Texture
- Dark Corten Texture
- Dark Grey Metallic Texture
- Deep Ocean Texture
- Ink Blue Texture
- Moss Texture
- Silver Texture
- Slate Texture
- White Texture

Custom RAL Powdercoat Color
(please call for pricing information)

RAL Color: _____

5

Mounting Options

Please select **one** option below.

- Surface mount
- Freestanding

Surface Mount Hardware Options

- Add F+S stainless steel mounting hardware kit*
- Do not include F+S mounting hardware kit

**Hardware is required for surface mount tables & chairs. Mounting kits can be purchased from F+S for an additional charge.*

NOTES

Please send completed forms to sales@forms-surfaces.com or contact us at 800.451.0410 with any questions.