

PROJECT NAME: _____

DATE: _____

JOB LOCATION: _____

COMPANY: _____

SPECIFIER: _____

PLEASE USE ADOBE READER OR ADOBE ACROBAT TO FILL OUT AND SAVE FORM. USING OTHER PROGRAMS COULD RESULT IN UNSAVED DATA.

MODEL

QUANTITY

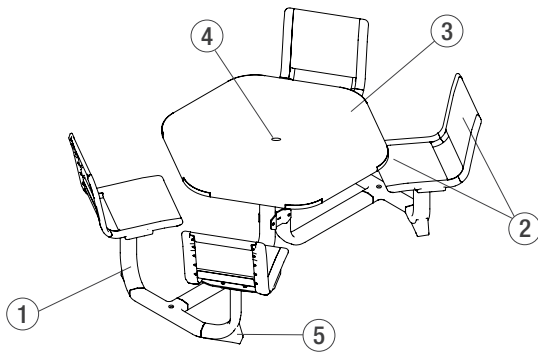
MODEL

_____	SETAN-4BA, -4BW, -4BS	Tangent Table Ensemble, 4 backed seats
_____	SETAN-6BA, -6BW, -6BS	Tangent Table Ensemble, 6 backed seats
_____	SETAN-4LA, -4LW, -4LS	Tangent Table Ensemble, 4 backless seats
_____	SETAN-6LA, -6LW, -6LS	Tangent Table Ensemble, 6 backless seats

FSC License Code: FSC-C004453

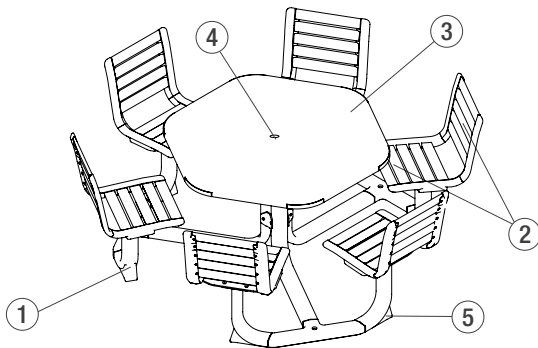
OPTIONS

**TANGENT TABLE ENSEMBLE, 4 BACKED SEATS,
STAINLESS STEEL PANS***



*Fade perforation not shown for clarity

**TANGENT TABLE ENSEMBLE, 6 BACKED SEATS,
ALUMINUM OR HARDWOOD SLATS**



Frame & Seat Design Options

① Frame Powdercoat Colors

Standard Texture from F+S Powdercoat Chart

Custom RAL Powdercoat Color *(subject to upcharge)*

② Seat & Back Material & Finish Option

Aluminum Slats

Standard Texture from F+S Powdercoat Chart

Custom RAL Powdercoat Color *(subject to upcharge)*

FSC® 100% Cumaru Hardwood Slats

Stainless Steel Seats & Backs

Seats and backs are standard with Fade perforation.

Sandstone Stainless Steel

Standard Texture from F+S Powdercoat Chart

Custom RAL Powdercoat Color *(subject to upcharge)*

3 Table Top Design Options

Please select **one** option below.

Sandstone Stainless Steel

Standard Texture from F+S Powdercoat Chart

Custom RAL Powdercoat Color *(subject to upcharge)*

4 Umbrella Hole and Sleeve*

**Required for use with the Soleris Sunshade (subject to upcharge)*

Yes

No

5 Mounting Options

Please select **one** mounting option below.

Freestanding

Surface Mount*

Add F+S stainless steel mounting hardware kit*

Do not include F+S mounting kit

**Hardware is required for surface mount benches. Mounting kits can be purchased from F+S for an additional charge.*

NOTES _____

Please send completed forms to sales@forms-surfaces.com or contact us at **800.451.0410** with any questions.