

TECNO RS SEATING SYSTEM

QUOTE/ORDER FORM

PROJECT NAME: _____

DATE: _____

JOB LOCATION: _____

COMPANY: _____

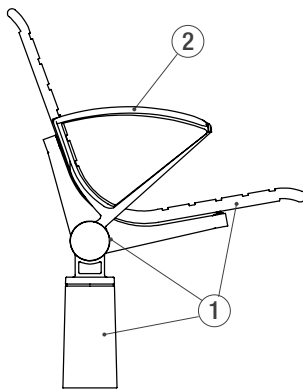
SPECIFIER: _____

PLEASE USE ADOBE READER OR ADOBE ACROBAT TO FILL OUT AND SAVE FORM. USING OTHER PROGRAMS COULD RESULT IN UNSAVED DATA.

MODEL

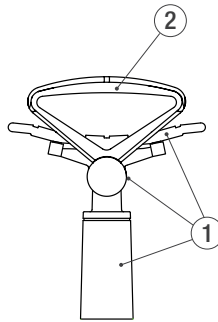
QUANTITY	MODEL	
_____	SBTRS-2B-C	Tecno RS Seating System, 2 die-cast aluminum seats, backed, cylindrical mounting post
_____	SBTRS-3B-C	Tecno RS Seating System, 3 die-cast aluminum seats, backed, cylindrical mounting post
_____	SBTRS-4B-C	Tecno RS Seating System, 4 die-cast aluminum seats, backed, cylindrical mounting post
_____	SBTRS-5B-C	Tecno RS Seating System, 5 die-cast aluminum seats, backed, cylindrical mounting post
_____	SBTRS-2B-WM	Tecno RS Seating System, 2 die-cast aluminum seats, backed, wall mount
_____	SBTRS-3B-WM	Tecno RS Seating System, 3 die-cast aluminum seats, backed, wall mount
_____	SBTRS-4B-WM	Tecno RS Seating System, 4 die-cast aluminum seats, backed, wall mount
_____	SBTRS-5B-WM	Tecno RS Seating System, 5 die-cast aluminum seats, backed, wall mount
_____	SBTRS-2L-C	Tecno RS Seating System, 2 die-cast aluminum seats, backless, cylindrical mounting post
_____	SBTRS-3L-C	Tecno RS Seating System, 3 die-cast aluminum seats, backless, cylindrical mounting post
_____	SBTRS-4L-C	Tecno RS Seating System, 4 die-cast aluminum seats, backless, cylindrical mounting post
_____	SBTRS-5L-C	Tecno RS Seating System, 5 die-cast aluminum seats, backless, cylindrical mounting post
_____	SBTRS-2L-WM	Tecno RS Seating System, 2 die-cast aluminum seats, backless, wall mount
_____	SBTRS-3L-WM	Tecno RS Seating System, 3 die-cast aluminum seats, backless, wall mount
_____	SBTRS-4L-WM	Tecno RS Seating System, 4 die-cast aluminum seats, backless, wall mount
_____	SBTRS-5L-WM	Tecno RS Seating System, 5 die-cast aluminum seats, backless, wall mount
_____	SBTRS-2P-PB	Tecno RS Seating System, 2 die-cast aluminum perch seats, cylindrical mounting post
_____	SBTRS-3P-PB	Tecno RS Seating System, 3 die-cast aluminum perch seats, cylindrical mounting post
_____	SBTRS-4P-PB	Tecno RS Seating System, 4 die-cast aluminum perch seats, cylindrical mounting post
_____	SBTRS-5P-PB	Tecno RS Seating System, 5 die-cast aluminum perch seats, cylindrical mounting post

OPTIONS



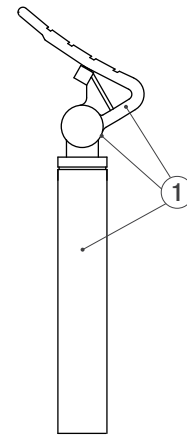
BACKED

(optional horizontal armrest shown)



BACKLESS

(optional low-profile horizontal armrest shown)



PERCH

(armrests not available)

1

Seat, Rail and Mounting Finish Options

Please select **one** powdercoat color below.

Standard Texture from Forms+Surfaces Powdercoat Chart

- Alabaster Texture
- Aluminum Texture
- Argento Texture
- Aubergine Texture
- Black Texture
- Clay Texture
- Cool Grey Texture
- Dark Bronze Metallic Texture
- Dark Corten Texture
- Dark Grey Metallic Texture
- Deep Ocean Texture
- Ink Blue Texture
- Moss Texture
- Silver Texture
- Slate Texture
- White Texture

Custom RAL Powdercoat Color

(please call for pricing information)

- RAL Color _____

2

Armrest Finish Options

Please select **one** powdercoat coverage option and **one** color below.

- Full Powdercoat
- Partial powdercoat with clear-coated polished aluminum upper surface

Standard Texture from Forms+Surfaces Powdercoat Chart

- Alabaster Texture
- Aluminum Texture
- Argento Texture
- Aubergine Texture
- Black Texture
- Clay Texture
- Cool Grey Texture
- Dark Bronze Metallic Texture
- Dark Corten Texture
- Dark Grey Metallic Texture
- Deep Ocean Texture
- Ink Blue Texture
- Moss Texture
- Silver Texture
- Slate Texture
- White Texture

Custom RAL Powdercoat Color

(please call for pricing information)

- RAL Color _____

Armrest Location Options

Please select **one** option below if armrests are specified.

- End armrests only
- Intermediate armrests only
- Both end and intermediate armrests

Mounting Options

- Surface Mount*
 - Add F+S stainless steel mounting hardware kit*
 - Do not include F+S mounting kit
- Wall Mount

**Hardware is required for surface mount benches. Mounting kits can be purchased from F+S for an additional charge.*

NOTES

Please send completed forms to sales@forms-surfaces.com or contact us at **800.451.0410** with any questions.