

TECNO RS SEATING SYSTEM

QUOTE/ORDER FORM

PROJECT NAME: _____

DATE: _____

JOB LOCATION: _____

COMPANY: _____

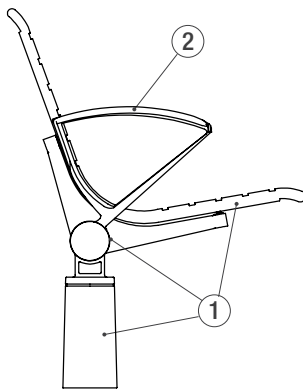
SPECIFIER: _____

PLEASE USE ADOBE READER OR ADOBE ACROBAT TO FILL OUT AND SAVE FORM. USING OTHER PROGRAMS COULD RESULT IN UNSAVED DATA.

MODEL

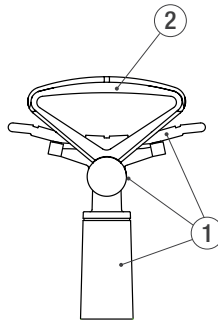
QUANTITY	MODEL	
_____	SBTRS-2B-C	Tecno RS Seating System, 2 die-cast aluminum seats, backed, cylindrical mounting post
_____	SBTRS-3B-C	Tecno RS Seating System, 3 die-cast aluminum seats, backed, cylindrical mounting post
_____	SBTRS-4B-C	Tecno RS Seating System, 4 die-cast aluminum seats, backed, cylindrical mounting post
_____	SBTRS-5B-C	Tecno RS Seating System, 5 die-cast aluminum seats, backed, cylindrical mounting post
_____	SBTRS-2B-WM	Tecno RS Seating System, 2 die-cast aluminum seats, backed, wall mount
_____	SBTRS-3B-WM	Tecno RS Seating System, 3 die-cast aluminum seats, backed, wall mount
_____	SBTRS-4B-WM	Tecno RS Seating System, 4 die-cast aluminum seats, backed, wall mount
_____	SBTRS-5B-WM	Tecno RS Seating System, 5 die-cast aluminum seats, backed, wall mount
_____	SBTRS-2L-C	Tecno RS Seating System, 2 die-cast aluminum seats, backless, cylindrical mounting post
_____	SBTRS-3L-C	Tecno RS Seating System, 3 die-cast aluminum seats, backless, cylindrical mounting post
_____	SBTRS-4L-C	Tecno RS Seating System, 4 die-cast aluminum seats, backless, cylindrical mounting post
_____	SBTRS-5L-C	Tecno RS Seating System, 5 die-cast aluminum seats, backless, cylindrical mounting post
_____	SBTRS-2L-WM	Tecno RS Seating System, 2 die-cast aluminum seats, backless, wall mount
_____	SBTRS-3L-WM	Tecno RS Seating System, 3 die-cast aluminum seats, backless, wall mount
_____	SBTRS-4L-WM	Tecno RS Seating System, 4 die-cast aluminum seats, backless, wall mount
_____	SBTRS-5L-WM	Tecno RS Seating System, 5 die-cast aluminum seats, backless, wall mount
_____	SBTRS-2P-PB	Tecno RS Seating System, 2 die-cast aluminum perch seats, cylindrical mounting post
_____	SBTRS-3P-PB	Tecno RS Seating System, 3 die-cast aluminum perch seats, cylindrical mounting post
_____	SBTRS-4P-PB	Tecno RS Seating System, 4 die-cast aluminum perch seats, cylindrical mounting post
_____	SBTRS-5P-PB	Tecno RS Seating System, 5 die-cast aluminum perch seats, cylindrical mounting post

OPTIONS



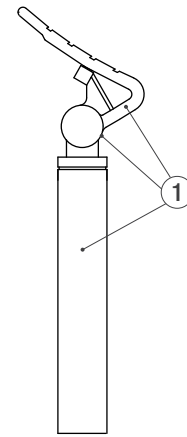
BACKED

(optional horizontal armrest shown)



BACKLESS

(optional low-profile horizontal armrest shown)



PERCH

(armrests not available)

① Seat, Rail and Mounting Finish Options

Please select **one** option below and write in specified color.

Standard Texture from F+S Powdercoat Color Chart

Custom RAL Powdercoat Color (subject to upcharge)

② Armrest Finish Options

Please select **one** option below and write in specified color.

Full powdercoat

Partial powdercoat with clear-coated polished aluminum upper surface

Standard Texture from F+S Powdercoat Color Chart

Custom RAL Powdercoat Color (subject to upcharge)

Armrest Location Options

No armrests

End armrests only

Intermediate armrests only

Both end and intermediate armrests

Mounting Options

Surface Mount*

Add F+S stainless steel mounting hardware kit*

Do not include F+S mounting kit

Wall Mount

**Hardware is required for surface mount benches. Mounting kits can be purchased from F+S for an additional charge.*

NOTES

Please send completed forms to sales@forms-surfaces.com or contact us at **800.451.0410** with any questions.