

PROJECT NAME: \_\_\_\_\_

DATE: \_\_\_\_\_

JOB LOCATION: \_\_\_\_\_

COMPANY: \_\_\_\_\_

SPECIFIER: \_\_\_\_\_

PLEASE USE ADOBE READER OR ADOBE ACROBAT TO FILL OUT AND SAVE FORM. USING OTHER PROGRAMS COULD RESULT IN UNSAVED DATA.

**MODEL**

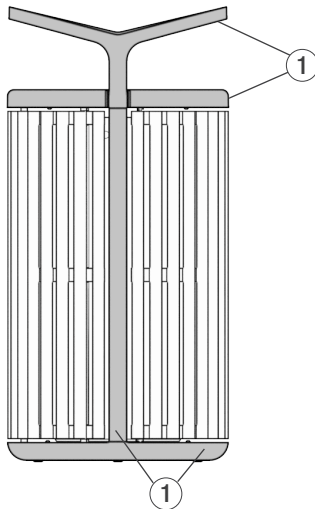
QUANTITY	MODEL	
_____	SLTNO-136C	Tonyo Receptacle, 36-gallon, single-stream, FSC® 100% Cumaru hardwood body/door
_____	SLTNO-136S	Tonyo Receptacle, 36-gallon, single-stream, powdercoated stainless steel body/door
_____	SLTNO-218C	Tonyo Receptacle, 36-gallon, split-stream, FSC® 100% Cumaru hardwood body/door
_____	SLTNO-218S	Tonyo Receptacle, 36-gallon, split-stream, powdercoated stainless steel body/door

FSC License Code: FSC-C004453

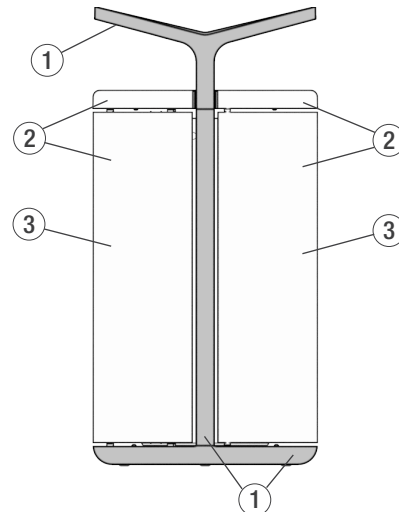
**POWDERCOAT OPTIONS**

Powdercoat options vary per configuration. See below for visual representation, and choose corresponding colors on Page 2. Note that ① and ② can be the same color, or two different colors for a color-blocking effect. Note: Due to the inherent nature of metal castings, gloss powdercoats are not offered for cast components. Perforations ③ are optional for stainless steel body/door models and can also be selected on page 2.

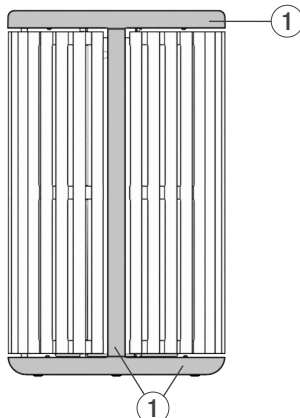
**TONYO RECEPTACLE, 36-GALLON,  
FSC® 100% CUMARU HARDWOOD BODY/DOOR, WITH RAIN HAT**



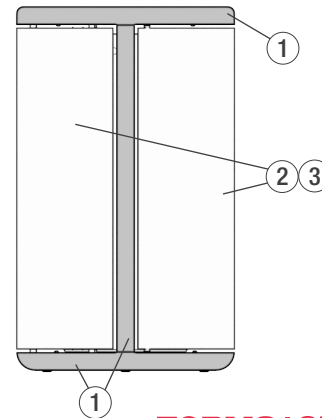
**TONYO RECEPTACLE, 36-GALLON,  
STAINLESS STEEL BODY/DOOR, WITH RAIN HAT**



**TONYO RECEPTACLE, 36-GALLON,  
FSC® 100% CUMARU HARDWOOD BODY/DOOR, WITHOUT RAIN HAT**



**TONYO RECEPTACLE, 36-GALLON,  
STAINLESS STEEL BODY/DOOR, WITHOUT RAIN HAT**



**Powdercoat Color Options**

Please select **one** option below and write in specified color.

**① Lid, Sidebars and Base**

Standard Texture from F+S Powdercoat Color Chart

\_\_\_\_\_

Custom RAL Powdercoat Color *(subject to upcharge)*

\_\_\_\_\_

**② Stainless Steel Body/Door** (when specified)

Standard Texture from F+S Powdercoat Color Chart

\_\_\_\_\_

Custom RAL Powdercoat Color *(subject to upcharge)*

\_\_\_\_\_

**③ Stainless Steel Body/Door Perforation Pattern Options**

Please select **one** option below.

- No perforation
- Notch perforation
- Plait perforation
- Terra perforation
- Warp perforation

**INSTRUCTIONAL GRAPHICS**

*Instructional graphics are optional. Options vary per receptacle configuration and generally consist of multiple graphic elements that incorporate color, waste stream symbols and/or text that indicate the use for each opening.*

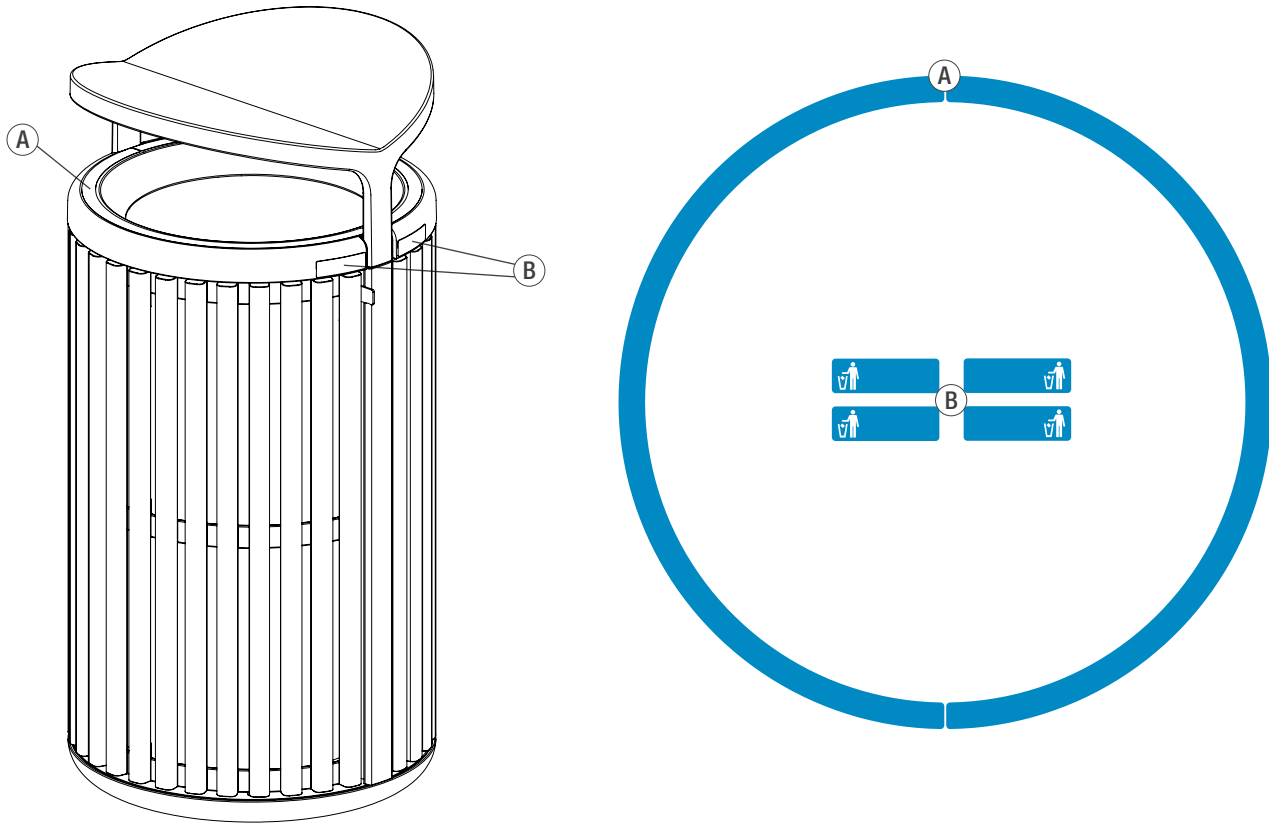
**Include Instructional Graphics?**

Yes (please make selections from pages 3-6)

No (skip pages 3-6 and go directly to page 7)

**Graphic Options - Single-Stream, FSC 100% Cumaru Body/Door (shown with optional rain hat)**

Please select a background color for top-of-lid Graphic A and lid Graphic B. Also select a waste stream symbol for lid Graphic B. **NOTE:** All symbols are white.



**Graphic A&B Background Color**

- green
- blue
- black

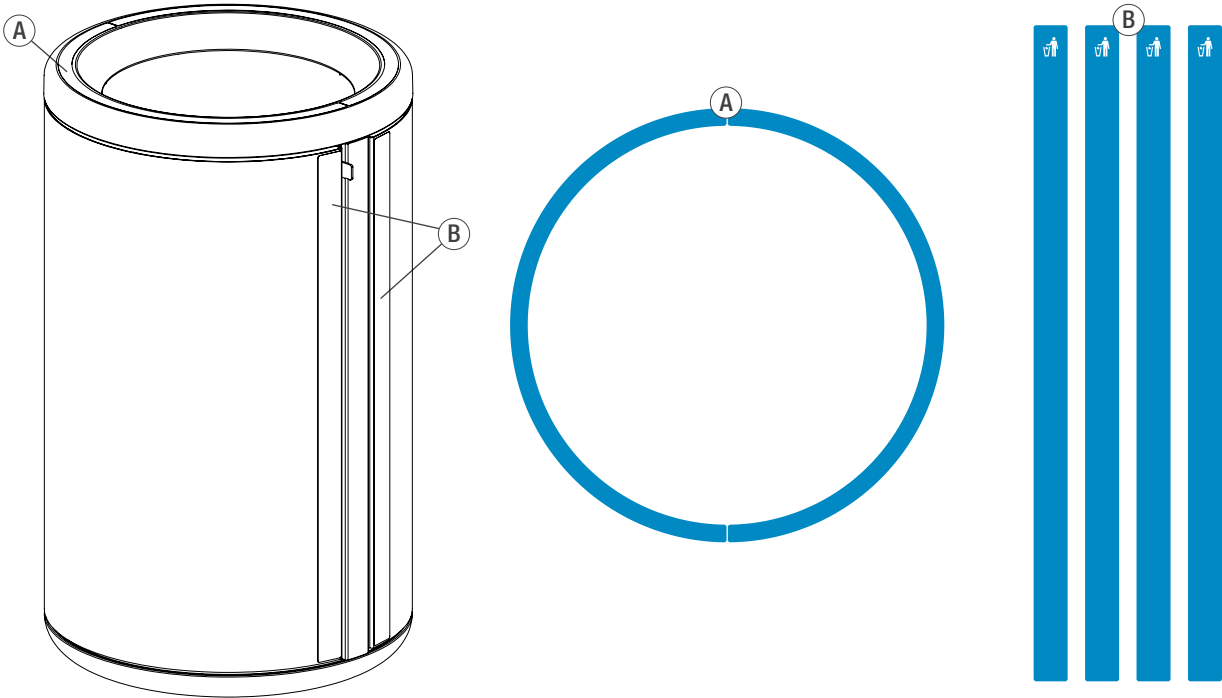
**Graphic B\* Symbol**

- |                          |                          |                          |                          |                          |
|--------------------------|--------------------------|--------------------------|--------------------------|--------------------------|
| <input type="checkbox"/> | <input type="checkbox"/> | <input type="checkbox"/> | <input type="checkbox"/> | <input type="checkbox"/> |
| <input type="checkbox"/> | <input type="checkbox"/> | <input type="checkbox"/> | <input type="checkbox"/> | <input type="checkbox"/> |

\* Graphics are mirrored on opposite side of receptacle.

**Graphic Options - Single-Stream, Stainless Steel Body/Door**

Please select a background color for top-of-lid Graphic A and door Graphic B. Also select a waste stream symbol for door Graphic B. **NOTE:** All symbols are white.



**Graphic A&B Background Color**

- green
- blue
- black

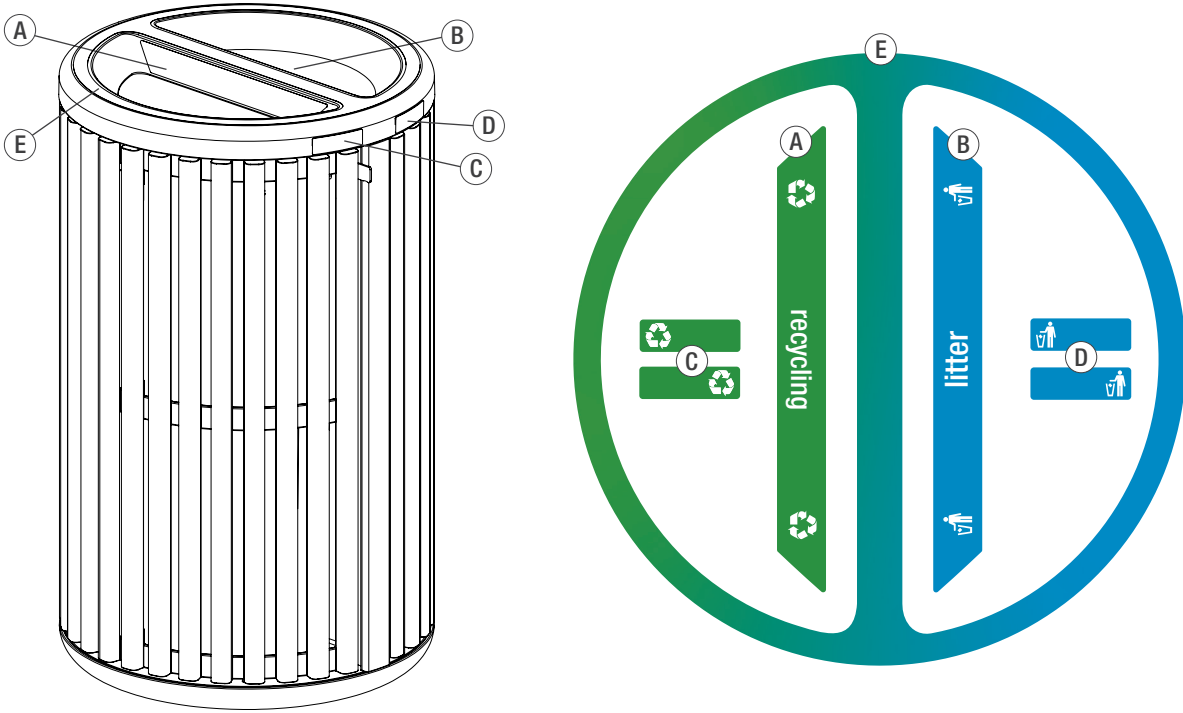
**Graphic B\* Symbol**

- |                          |                          |                          |                          |
|--------------------------|--------------------------|--------------------------|--------------------------|
| <input type="checkbox"/> | <input type="checkbox"/> | <input type="checkbox"/> | <input type="checkbox"/> |
| <input type="checkbox"/> | <input type="checkbox"/> | <input type="checkbox"/> |                          |

\* Graphics are mirrored on opposite side of receptacle.

**Graphic Options - Split-Stream, FSC 100% Cumaru Body/Door**

Please select a message and background color for lid Graphic A and lid Graphic C (Graphic A message = symbol + lettering; Graphic C message = symbol only). Also select a message and background color for lid Graphic B and lid Graphic D (Graphic B message = symbol + lettering; Graphic D message = symbol only). When Graphics A/C & B/D have different background colors, the two colors fade together to create top-of-lid Graphic E. **NOTE:** All letters and symbols are white.



**Graphic A Message**

- landfill
- recycling
- glass
- paper
- litter
- bottles & cans
- aluminum
- compost

**Graphics A&C Background Color\***

- green
- blue
- black

**Graphic B Message**

- landfill
- recycling
- glass
- paper
- litter
- bottles & cans
- aluminum
- compost

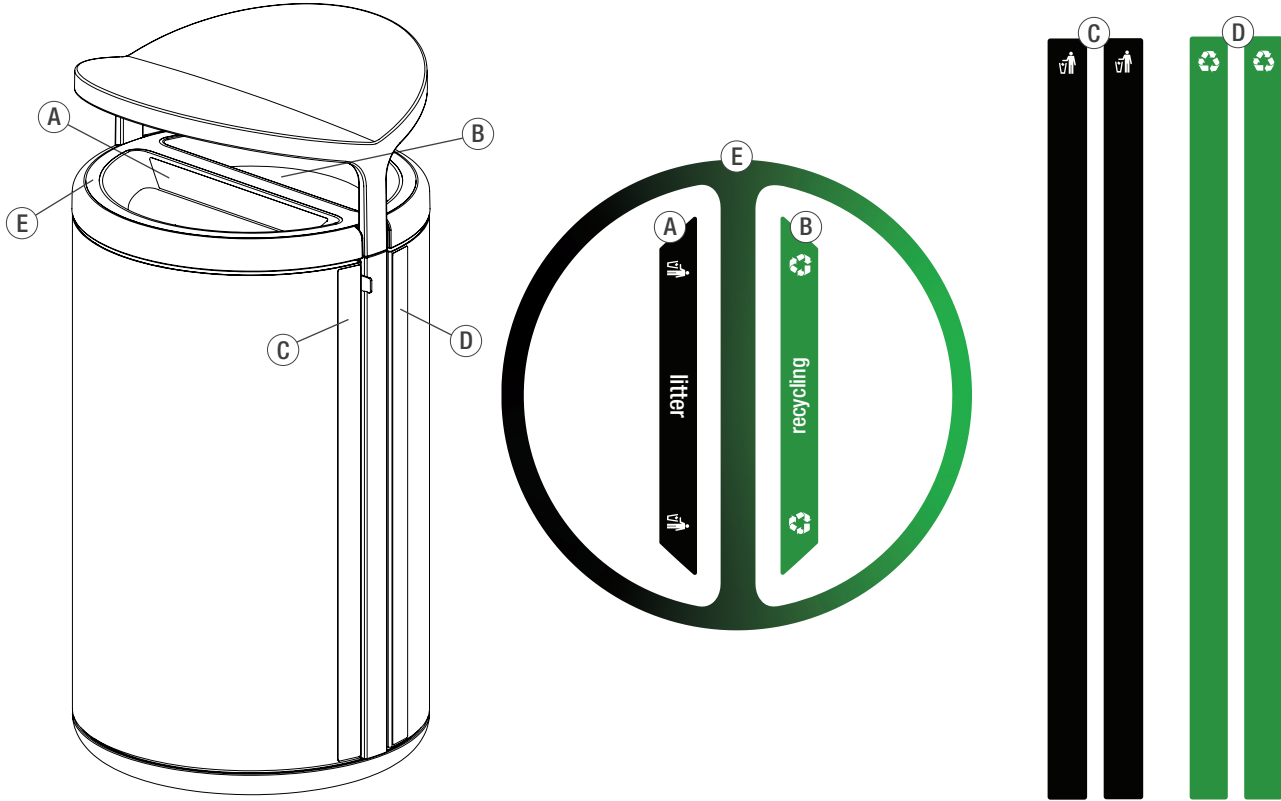
**Graphics B&D Background Color\***

- green
- blue
- black

\*Color applies to corresponding half of Graphic E.

**Graphic Options - Split-Stream, Stainless Steel Body/Door (shown with optional rain hat)**

Please select a message and background color for lid Graphic A and door Graphic C (Graphic A message = symbol + lettering; Graphic C message = symbol only). Also select a message and background color for lid Graphic B and door Graphic D (Graphic B message = symbol + lettering; Graphic D message = symbol only). When Graphics A/C & B/D have different background colors, the two colors fade together to create top-of-lid Graphic E. **NOTE:** All letters and symbols are white.



**Graphic A&C Message**

- landfill
- recycling
- glass
- paper
- litter
- bottles & cans
- aluminum
- compost

**Graphics A&C Background Color\***

- green
- blue
- black

**Graphic B&D Message**

- landfill
- recycling
- glass
- paper
- litter
- bottles & cans
- aluminum
- compost

**Graphics B&D Background Color\***

- green
- blue
- black

\*Color applies to corresponding half of Graphic E. Graphics C and D are mirrored on opposite side of receptacle.

<b>Latch Options</b>	<b>Rain Hat</b>
<i>Please select <b>one</b> option below.</i>	<i>Please select <b>one</b> option below.</i>
<input type="checkbox"/> Standard lift latch <input type="checkbox"/> Limited-access latch	<input type="checkbox"/> Yes <input type="checkbox"/> No

<b>Mounting Options</b>
<input type="checkbox"/> Freestanding with levelers <input type="checkbox"/> Surface Mount with levelers* <ul style="list-style-type: none"> <li><input type="checkbox"/> Add F+S stainless steel mounting hardware kit*</li> <li><input type="checkbox"/> Do not include F+S mounting hardware kit</li> </ul> <p><i>*Hardware is required for surface mount litter receptacles. Mounting kits can be purchased from F+S for an additional charge.</i></p>

**NOTES** \_\_\_\_\_

\_\_\_\_\_

\_\_\_\_\_

Please send completed forms to [sales@forms-surfaces.com](mailto:sales@forms-surfaces.com) or contact us at 800.451.0410 with any questions.