

PROJECT NAME: \_\_\_\_\_

DATE: \_\_\_\_\_

JOB LOCATION: \_\_\_\_\_

COMPANY: \_\_\_\_\_

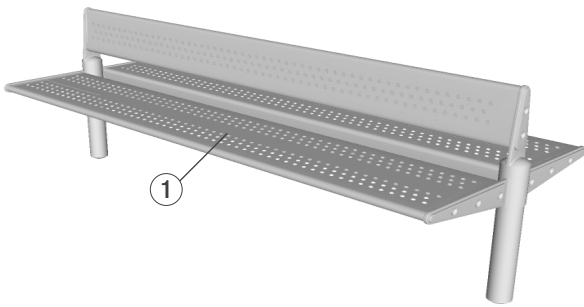
SPECIFIER: \_\_\_\_\_

PLEASE USE ADOBE READER OR ADOBE ACROBAT TO FILL OUT AND SAVE FORM. USING OTHER PROGRAMS COULD RESULT IN UNSAVED DATA.

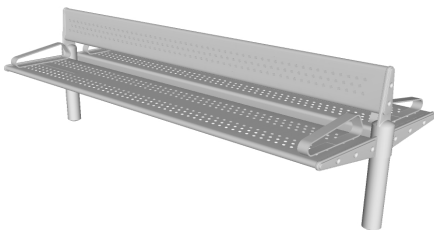
| MODEL    |   | MODEL    |   |
|----------|---|----------|---|
| QUANTITY | MODEL   | QUANTITY | MODEL   |
| _____    | SBTRA-1LA Single-sided backless angled seat     | _____    | SBTRA-2LA Double-sided backless angled seat     |
| _____    | Add-on section(s)                               | _____    | Add-on section(s)                               |
| _____    | SBTRA-1LH Single-sided backless horizontal seat | _____    | SBTRA-2LH Double-sided backless horizontal seat |
| _____    | Add-on section(s)                               | _____    | Add-on section(s)                               |
| _____    | SBTRA-1BA Single-sided backed angled seat       | _____    | SBTRA-2BA Double-sided backed angled seat       |
| _____    | Add-on section(s)                               | _____    | Add-on section(s)                               |
| _____    | SBTRA-1BH Single-sided backed horizontal seat   | _____    | SBTRA-2BH Double-sided backed horizontal seat   |
| _____    | Add-on section(s)                               | _____    | Add-on section(s)                               |

**OPTIONS**

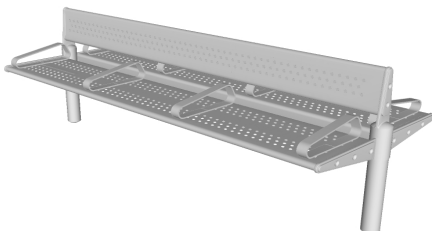
DOUBLE-SIDED, BACKED HORIZONTAL SEAT



ARMREST LOCATIONS



**A** 1 armrest at each end of bench



**B** 4 armrests equally spaced

**1 Frame, Seat & Backrest Finish Options**

Please select **one** color or finish option

**Standard Stainless Steel Finish**

Satin

**Cast Aluminum Powdercoat Finish**

Standard Texture from F+S Powdercoat Color Chart

Custom RAL Powdercoat Color (subject to upcharge)

|  |   |
|--|---|
| <p><b>Armrest Options</b></p> <p><b>Armrests</b>    <input type="checkbox"/> Yes    <input type="checkbox"/> No<br/> <i>If "Yes," please specify locations below. (subject to upcharge)</i></p> <p><b>Location</b>    <input type="checkbox"/> <b>A</b>    <input type="checkbox"/> <b>B</b><br/> <i>Please see <b>Page 1, Armrest Locations</b>, for options.</i></p> | <p><b>Mounting Options</b></p> <p><input type="checkbox"/> Cast-in-Place<br/> <input type="checkbox"/> Surface Mount*<br/> <input type="checkbox"/> Add F+S stainless steel mounting hardware kit*<br/> <input type="checkbox"/> Do not include F+S mounting kit</p> <p><i>*Hardware is required for surface mount benches. Mounting kits can be purchased from F+S for an additional charge.</i></p> |
|--|---|

**NOTES** \_\_\_\_\_

\_\_\_\_\_

\_\_\_\_\_

Please send completed forms to [sales@forms-surfaces.com](mailto:sales@forms-surfaces.com) or contact us at **800.451.0410** with any questions.