

PROJECT NAME: _____

DATE: _____

JOB LOCATION: _____

COMPANY: _____

PLEASE USE ADOBE READER OR ADOBE ACROBAT TO FILL OUT AND SAVE FORM. USING OTHER PROGRAMS COULD RESULT IN UNSAVED DATA.

MODEL

QUANTITY	MODEL	QUANTITY	MODEL
_____	SBTRA-1LA Single-sided backless angled seat	_____	SBTRA-2LA Double-sided backless angled seat
_____	Add-on section(s)	_____	Add-on section(s)
_____	SBTRA-1LH Single-sided backless horizontal seat	_____	SBTRA-2LH Double-sided backless horizontal seat
_____	Add-on section(s)	_____	Add-on section(s)
_____	SBTRA-1BA Single-sided backed angled seat	_____	SBTRA-2BA Double-sided backed angled seat
_____	Add-on section(s)	_____	Add-on section(s)
_____	SBTRA-1BH Single-sided backed horizontal seat	_____	SBTRA-2BH Double-sided backed horizontal seat
_____	Add-on section(s)	_____	Add-on section(s)

OPTIONS

FIG 1: DOUBLE-SIDED, BACKED HORIZONTAL SEAT

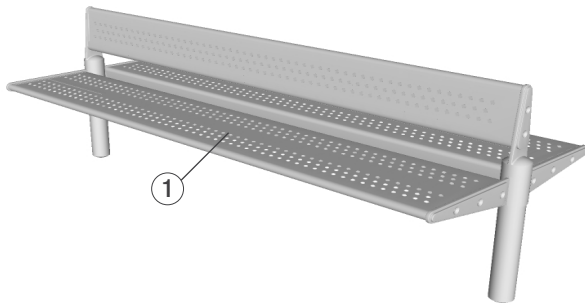
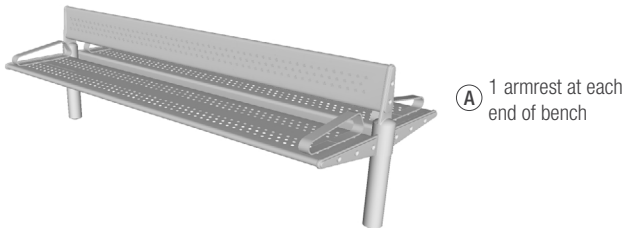
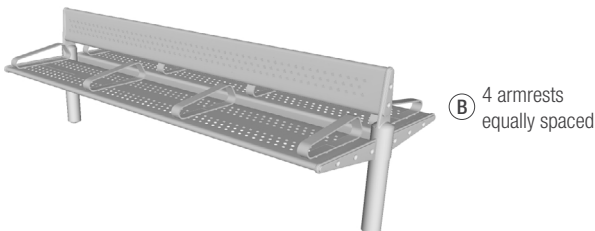


FIG 2: ARMREST LOCATIONS



A 1 armrest at each end of bench



B 4 armrests equally spaced

1

Seat and Backrest Color / Finish Options

Please select **one** color or finish option

Standard Stainless Steel Finish

Satin

Standard Texture/Gloss from Forms+Surfaces Powdercoat Chart

- | | |
|---|---|
| <input type="checkbox"/> Alabaster Texture | <input type="checkbox"/> Dark Corten Texture |
| <input type="checkbox"/> Aluminum Texture | <input type="checkbox"/> Dark Grey Metallic Texture |
| <input type="checkbox"/> Argento Texture | <input type="checkbox"/> Deep Ocean Texture |
| <input type="checkbox"/> Aubergine Texture | <input type="checkbox"/> Ink Blue Texture |
| <input type="checkbox"/> Black Gloss | <input type="checkbox"/> Moss Texture |
| <input type="checkbox"/> Black Texture | <input type="checkbox"/> Silver Texture |
| <input type="checkbox"/> Bright Silver Gloss | <input type="checkbox"/> Slate Gloss |
| <input type="checkbox"/> Clay Texture | <input type="checkbox"/> Slate Texture |
| <input type="checkbox"/> Cool Grey Texture | <input type="checkbox"/> White Texture |
| <input type="checkbox"/> Dark Bronze Metallic Texture | |

Custom RAL Powdercoat Color

(please call for pricing information)

RAL Color: _____

Armrest Options

Armrests Yes No
If "Yes," please specify locations below. (add \$100 per armrest)

Location A B
*Please see **Figure 2, Armrest Locations**, for options*

Mounting Options

Cast-in-place Surface mount

NOTES _____

Please send completed forms to sales@forms-surfaces.com or contact us at **800.451.0410** with any questions.