

PROJECT NAME: \_\_\_\_\_

DATE: \_\_\_\_\_

JOB LOCATION: \_\_\_\_\_

COMPANY: \_\_\_\_\_

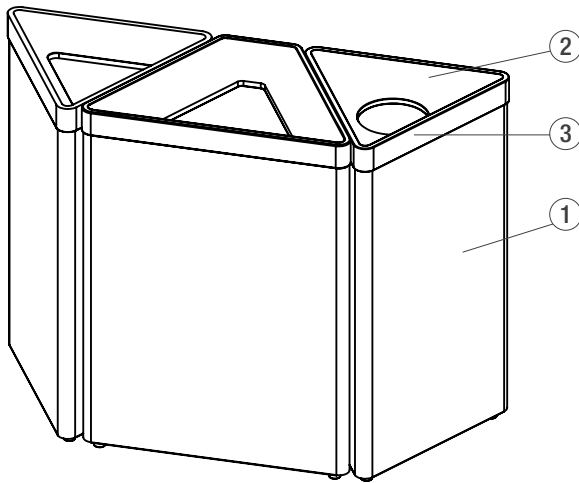
PLEASE USE ADOBE READER OR ADOBE ACROBAT TO FILL OUT AND SAVE FORM. USING OTHER PROGRAMS COULD RESULT IN UNSAVED DATA.

**MODEL**

| QUANTITY | MODEL     |  |
|----------|-----------|--|
| _____    | SLTRD-16B | Triad Receptacle, 16-gallon, 6" diameter opening, triangular body  |
| _____    | SLTRD-16L | Triad Receptacle, 16-gallon, 8" diameter opening, triangular body  |
| _____    | SLTRD-16P | Triad Receptacle, 16-gallon, triangular opening, triangular body   |
| _____    | SLTRD-24B | Triad Receptacle, 24-gallon, 6" diameter opening, trapezoidal body |
| _____    | SLTRD-24L | Triad Receptacle, 24-gallon, trapezoidal opening, trapezoidal body |
| _____    | SLTRD-24P | Triad Receptacle, 24-gallon, paper slot, trapezoidal body          |

**OPTIONS**

**FIG. 1: TRIAD RECEPTACLES**  
LEFT TO RIGHT: SLTRD-16P, SLTRD-24L,  
AND SLTRD-16B



①

**Finish Options**

Please select **one** option below.

**Stainless Steel Finish**

- Sandstone       Diamond
- Linen             Satin

②

**Lid Color Options**

Please select **one** option below.

- Black               Green
- Blue

**Liner Options**

Please select **one** option below.

- Bag slots       Yes     No
- Drain holes    Yes     No

**Mounting Options**

Please select **one** option below.

- Freestanding (with levelers)
- Surface mount

3

**Model Graphics Message & Background Color Options**

Please select the model, graphic message, and graphic background color. If "no graphic" is selected, the graphic background color is not applicable.  
 \*Litter and landfill graphics are **only** available in **black** background color. See **Figure 2** on Page 3 for graphic examples.

|   |  |                                 |
|---|--|---------------------------------|
| <input type="checkbox"/> <b>SLTRD-16B</b> |  |                                 |
| <b>Graphic message</b>                    |  | <b>Graphic background color</b> |
| <input type="checkbox"/> no graphic       |  | <input type="checkbox"/> black  |
| <input type="checkbox"/> recycling        |  | <input type="checkbox"/> blue   |
| <input type="checkbox"/> bottles & cans   |  | <input type="checkbox"/> green  |

|   |   |                                  |
|---|---|----------------------------------|
| <input type="checkbox"/> <b>SLTRD-16L</b> |   |                                  |
| <b>Graphic message</b>                    |   | <b>Graphic background color</b>  |
| <input type="checkbox"/> no graphic       | <input type="checkbox"/> recycling      | <input type="checkbox"/> compost |
| <input type="checkbox"/> litter*          | <input type="checkbox"/> bottles & cans | <input type="checkbox"/> black   |
| <input type="checkbox"/> landfill*        | <input type="checkbox"/> paper          | <input type="checkbox"/> blue    |
|   |   | <input type="checkbox"/> green   |

|   |   |                                  |
|---|---|----------------------------------|
| <input type="checkbox"/> <b>SLTRD-16P</b> |   |                                  |
| <b>Graphic message</b>                    |   | <b>Graphic background color</b>  |
| <input type="checkbox"/> no graphic       | <input type="checkbox"/> recycling      | <input type="checkbox"/> compost |
| <input type="checkbox"/> litter*          | <input type="checkbox"/> bottles & cans | <input type="checkbox"/> black   |
| <input type="checkbox"/> landfill*        | <input type="checkbox"/> paper          | <input type="checkbox"/> blue    |
|   |   | <input type="checkbox"/> green   |

|   |  |                                 |
|---|--|---------------------------------|
| <input type="checkbox"/> <b>SLTRD-24B</b> |  |                                 |
| <b>Graphic message</b>                    |  | <b>Graphic background color</b> |
| <input type="checkbox"/> no graphic       |  | <input type="checkbox"/> black  |
| <input type="checkbox"/> recycling        |  | <input type="checkbox"/> blue   |
| <input type="checkbox"/> bottles & cans   |  | <input type="checkbox"/> green  |

|   |   |                                  |
|---|---|----------------------------------|
| <input type="checkbox"/> <b>SLTRD-24L</b> |   |                                  |
| <b>Graphic message</b>                    |   | <b>Graphic background color</b>  |
| <input type="checkbox"/> no graphic       | <input type="checkbox"/> recycling      | <input type="checkbox"/> compost |
| <input type="checkbox"/> litter*          | <input type="checkbox"/> bottles & cans | <input type="checkbox"/> black   |
| <input type="checkbox"/> landfill*        | <input type="checkbox"/> paper          | <input type="checkbox"/> blue    |
|   |   | <input type="checkbox"/> green   |

|   |  |                                 |
|---|--|---------------------------------|
| <input type="checkbox"/> <b>SLTRD-24P</b> |  |                                 |
| <b>Graphic message</b>                    |  | <b>Graphic background color</b> |
| <input type="checkbox"/> no graphic       |  | <input type="checkbox"/> black  |
| <input type="checkbox"/> paper            |  | <input type="checkbox"/> blue   |
|   |  | <input type="checkbox"/> green  |

FIG. 2: GRAPHIC EXAMPLES



NOTES \_\_\_\_\_

\_\_\_\_\_

\_\_\_\_\_

Please send completed forms to [sales@forms-surfaces.com](mailto:sales@forms-surfaces.com) or contact us at 800.451.0410 with any questions.