

PROJECT NAME: _____

DATE: _____

JOB LOCATION: _____

COMPANY: _____

SPECIFIER: _____

PLEASE USE ADOBE READER OR ADOBE ACROBAT TO FILL OUT AND SAVE FORM. USING OTHER PROGRAMS COULD RESULT IN UNSAVED DATA.

MODEL

QUANTITY

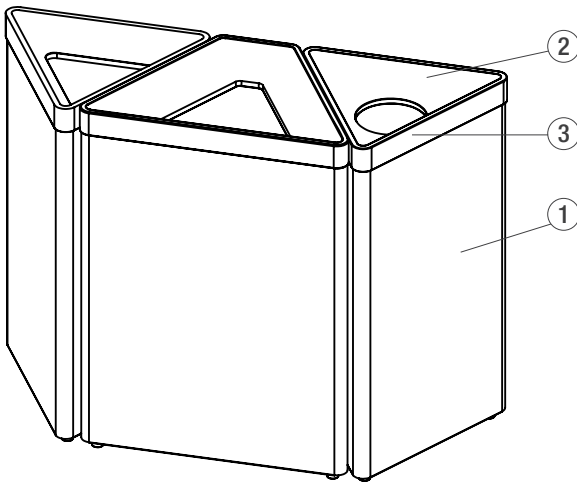
MODEL

_____	SLTRD-16B	Triad Receptacle, 16-gallon, 6" diameter opening, triangular body
_____	SLTRD-16L	Triad Receptacle, 16-gallon, 8" diameter opening, triangular body
_____	SLTRD-16P	Triad Receptacle, 16-gallon, triangular opening, triangular body
_____	SLTRD-24B	Triad Receptacle, 24-gallon, 6" diameter opening, trapezoidal body
_____	SLTRD-24L	Triad Receptacle, 24-gallon, trapezoidal opening, trapezoidal body
_____	SLTRD-24P	Triad Receptacle, 24-gallon, paper slot, trapezoidal body

OPTIONS

TRIAD RECEPTACLES

LEFT TO RIGHT: SLTRD-16P, SLTRD-24L,
AND SLTRD-16B



①

Finish Options

Please select **one** option below.

Stainless Steel Finish

- Sandstone
- Diamond
- Linen
- Satin

②

Lid Color Options

Please select **one** option below.

- Black
- Green
- Blue

Mounting Options

Please select **one** option below.

- Freestanding (with levelers)
- Surface mount

3

Model Graphics Message & Background Color Options

Please select the model, graphic message, and graphic background color. If "no graphic" is selected, the graphic background color is not applicable.
 *Litter and landfill graphics are **only** available in **black** background color. See **Figure 2** on Page 3 for graphic examples.

SLTRD-16B

Graphic message

- no graphic
- recycling
- bottles & cans

Graphic background color

- black
- blue
- green

SLTRD-16L

Graphic message

- no graphic
- recycling
- compost
- litter*
- bottles & cans
- landfill*
- paper

Graphic background color

- black
- blue
- green

SLTRD-16P

Graphic message

- no graphic
- recycling
- compost
- litter*
- bottles & cans
- landfill*
- paper

Graphic background color

- black
- blue
- green

SLTRD-24B

Graphic message

- no graphic
- recycling
- bottles & cans

Graphic background color

- black
- blue
- green

SLTRD-24L

Graphic message

- no graphic
- recycling
- compost
- litter*
- bottles & cans
- landfill*
- paper

Graphic background color

- black
- blue
- green

SLTRD-24P

Graphic message

- no graphic
- paper

Graphic background color

- black
- blue
- green

GRAPHIC EXAMPLES



NOTES _____

Please send completed forms to sales@forms-surfaces.com or contact us at 800.451.0410 with any questions.