

PROJECT NAME: _____

DATE: _____

JOB LOCATION: _____

COMPANY: _____

PLEASE USE ADOBE READER OR ADOBE ACROBAT TO FILL OUT AND SAVE FORM. USING OTHER PROGRAMS COULD RESULT IN UNSAVED DATA.

MODEL

QUANTITY

MODEL

_____	STTRO-72SC	Trio Table Ensemble, FSC 100% Ipé hardwood slats*
_____	STTRO-72SC-ADA	Trio Table Ensemble, ADA option, FSC 100% Ipé hardwood slats*
_____	STTRO-72SA	Trio Table Ensemble, extruded aluminum slats
_____	STTRO-72SA-ADA	Trio Table Ensemble, ADA option, extruded aluminum slats

FSC License Code: FSC-C004453

OPTIONS

①

Frame Powdercoat Colors

Please select **one** powdercoat color.

NOTE: Due to the inherent nature of metal castings, gloss powdercoats are not offered for cast components.

Standard Texture from Forms+Surfaces Powdercoat Chart

- | | |
|---|---|
| <input type="checkbox"/> Aluminum Texture | <input type="checkbox"/> Dark Grey Metallic Texture |
| <input type="checkbox"/> Argento Texture | <input type="checkbox"/> Evergreen Texture |
| <input type="checkbox"/> Black Texture | <input type="checkbox"/> Ink Blue Texture |
| <input type="checkbox"/> Blue Texture | <input type="checkbox"/> Silver Texture |
| <input type="checkbox"/> Cream Texture | <input type="checkbox"/> Slate Texture |
| <input type="checkbox"/> Dark Bronze Metallic Texture | <input type="checkbox"/> White Texture |

Premium Texture from Forms+Surfaces Powdercoat Chart

(add \$200 per color/per order)

- | | |
|--|---|
| <input type="checkbox"/> Azure Texture | <input type="checkbox"/> Dark Corten Texture |
| <input type="checkbox"/> Lime Texture | <input type="checkbox"/> Light Corten Texture |

Custom RAL Powdercoat Color

(please call for pricing information)

RAL Color: _____

FIG 1: TRIO TABLE ENSEMBLE

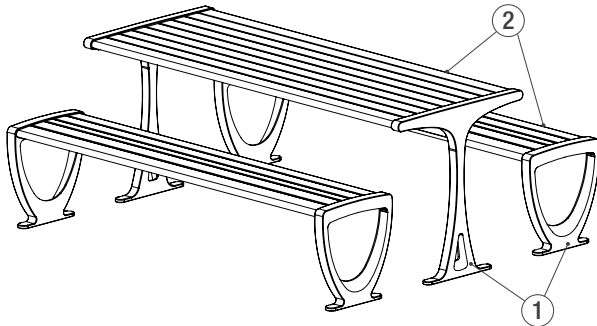
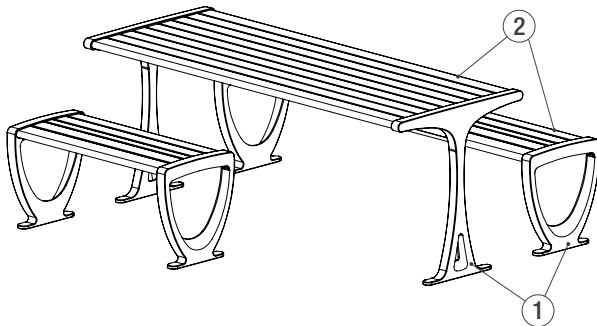


FIG 2: TRIO TABLE ENSEMBLE, ADA OPTION



2

Slat Color Options (for models with aluminum slats)

Please select either clear anodized **or** a powdercoat option.

Clear Anodized

Standard Texture from Forms+Surfaces Powdercoat Chart

- Aluminum Texture Dark Grey Metallic Texture
- Argento Texture Evergreen Texture
- Black Texture Ink Blue Texture
- Blue Texture Silver Texture
- Cream Texture Slate Texture
- Dark Bronze Metallic Texture White Texture

Premium Texture from Forms+Surfaces Powdercoat Chart

(add \$200 per color/per order)

- Azure Texture Dark Corten Texture
- Lime Texture Light Corten Texture

Custom RAL Powdercoat Color

(please call for pricing information)

RAL Color: _____

Umbrella Hole and Sleeve

**For use with the Soleris Sunshade*

Umbrella Hole and Sleeve Yes No

(add \$40 per table ensemble)

NOTES

Please send completed forms to sales@forms-surfaces.com or contact us at **800.451.0410** with any questions.