

PROJECT NAME: \_\_\_\_\_

DATE: \_\_\_\_\_

JOB LOCATION: \_\_\_\_\_

COMPANY: \_\_\_\_\_

SPECIFIER: \_\_\_\_\_

PLEASE USE ADOBE READER OR ADOBE ACROBAT TO FILL OUT AND SAVE FORM. USING OTHER PROGRAMS COULD RESULT IN UNSAVED DATA.

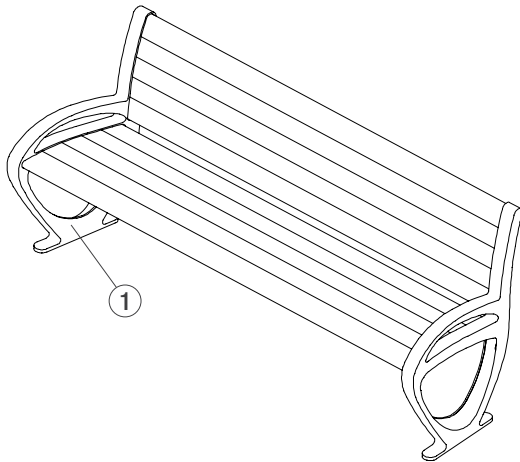
**MODEL**

QUANTITY	MODEL	
_____	SBTRO-72BA	Trio Bench, 6-foot, backed, extruded aluminum slats
_____	SBTRO-72BW	Trio Bench, 6-foot, backed, FSC® 100% Cumaru hardwood slats
_____	SBTRO-72NA	Trio Bench, 6-foot, backless, extruded aluminum slats
_____	SBTRO-72NW	Trio bench, 6-foot, backless, FSC 100% Cumaru hardwood slats
_____	SBTRO-96BA	Trio Bench, 8-foot, backed, extruded aluminum slats
_____	SBTRO-96NA	Trio Bench, 8-foot, backless, extruded aluminum slats

FSC License Code: FSC-C004453

**OPTIONS**

**72" BACKED BENCH, WOOD SLATS**



**Bench Design Options**

**① Frame Powdercoat Colors**

Standard Texture from F+S Powdercoat Chart

\_\_\_\_\_

Custom RAL Powdercoat Color *(subject to upcharge)*

\_\_\_\_\_

**② Slat Finish Options** *(for models with aluminum slats)*

Clear Anodized

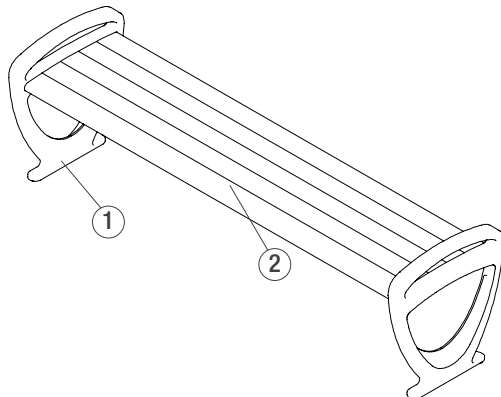
Standard Texture from F+S Powdercoat Chart

\_\_\_\_\_

Custom RAL Powdercoat Color *(subject to upcharge)*

\_\_\_\_\_

**72" BACKLESS BENCH, ALUMINUM SLATS**



**Armrest Options**

**Intermediate Armrest(s):**     Yes     No  
*(subject to upcharge)*

**Armrest location(s)**

- One armrest, centered
- Two armrests, evenly spaced
- Three armrests, evenly spaced\*
- One armrest, off-center      Location: \_\_\_\_\_
- Two armrests, off-center      Location: \_\_\_\_\_

\*Three armrest option is only available with 8-foot bench configurations.

**Surface Mount Hardware Options**

- Add F+S stainless steel mounting hardware kit\*
- Do not include F+S mounting hardware kit

*\*Hardware is required for surface mount benches. Mounting kits can be purchased from F+S for an additional charge.*

**NOTES**

---



---



---

Please send completed forms to [sales@forms-surfaces.com](mailto:sales@forms-surfaces.com) or contact us at **800.451.0410** with any questions.