

PROJECT NAME: _____

DATE: _____

JOB LOCATION: _____

COMPANY: _____

SPECIFIER: _____

PLEASE USE ADOBE READER OR ADOBE ACROBAT TO FILL OUT AND SAVE FORM. USING OTHER PROGRAMS COULD RESULT IN UNSAVED DATA.

MODEL

QUANTITY

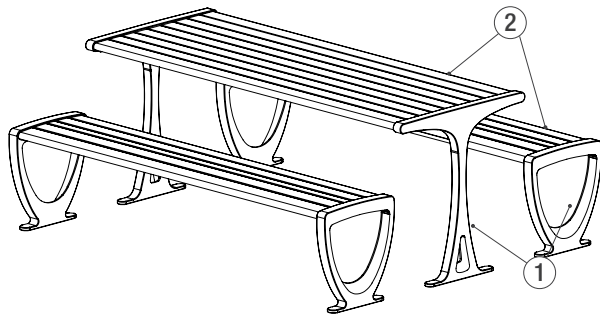
MODEL

_____	STTRO-72SC	Trio Table Ensemble, FSC 100% Cumaru hardwood slats
_____	STTRO-72SC-ADA	Trio Table Ensemble, ADA option, FSC 100% Cumaru hardwood slats
_____	STTRO-72SA	Trio Table Ensemble, extruded aluminum slats
_____	STTRO-72SA-ADA	Trio Table Ensemble, ADA option, extruded aluminum slats

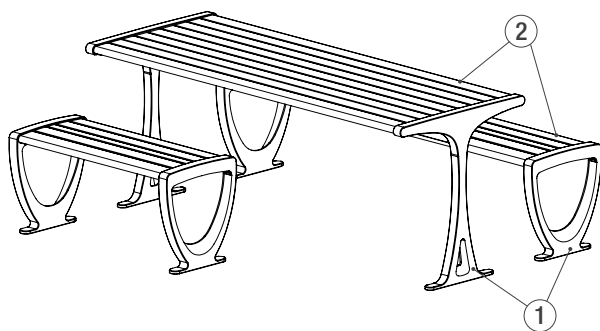
FSC License Code: FSC-C004453

OPTIONS

TRIO TABLE ENSEMBLE



TRIO TABLE ENSEMBLE, ADA OPTION



①

Frame Powdercoat Colors

Please select **one** powdercoat color.

NOTE: Due to the inherent nature of metal castings, gloss powdercoats are not offered for cast components.

Standard Texture from Forms+Surfaces Powdercoat Chart

- | | |
|---|---|
| <input type="checkbox"/> Alabaster Texture | <input type="checkbox"/> Dark Corten Texture |
| <input type="checkbox"/> Aluminum Texture | <input type="checkbox"/> Dark Grey Metallic Texture |
| <input type="checkbox"/> Argento Texture | <input type="checkbox"/> Deep Ocean Texture |
| <input type="checkbox"/> Aubergine Texture | <input type="checkbox"/> Ink Blue Texture |
| <input type="checkbox"/> Black Texture | <input type="checkbox"/> Moss Texture |
| <input type="checkbox"/> Clay Texture | <input type="checkbox"/> Silver Texture |
| <input type="checkbox"/> Cool Grey Texture | <input type="checkbox"/> Slate Texture |
| <input type="checkbox"/> Dark Bronze Metallic Texture | <input type="checkbox"/> White Texture |

Custom RAL Powdercoat Color

(please call for pricing information)

RAL Color: _____

2

Slat Finish Options (for models with aluminum slats)

Please select either clear anodized **or** a powdercoat option.

Clear Anodized

Standard Texture from Forms+Surfaces Powdercoat Chart

- Alabaster Texture
- Aluminum Texture
- Argento Texture
- Aubergine Texture
- Black Texture
- Clay Texture
- Cool Grey Texture
- Dark Bronze Metallic Texture
- Dark Corten Texture
- Dark Grey Metallic Texture
- Deep Ocean Texture
- Ink Blue Texture
- Moss Texture
- Silver Texture
- Slate Texture
- White Texture

Custom RAL Powdercoat Color

(please call for pricing information)

RAL Color: _____

Umbrella Hole and Sleeve

For use with the Soleris Sunshade

Umbrella Hole and Sleeve Yes No

(subject to upcharge)

Surface Mount Hardware Options

- Add F+S stainless steel mounting hardware kit*
- Do not include F+S mounting hardware kit

*Hardware is required for surface mount tables & chairs. Mounting kits can be purchased from F+S for an additional charge.

NOTES

Please send completed forms to sales@forms-surfaces.com or contact us at **800.451.0410** with any questions.